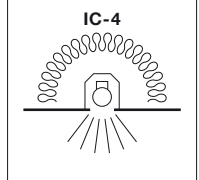
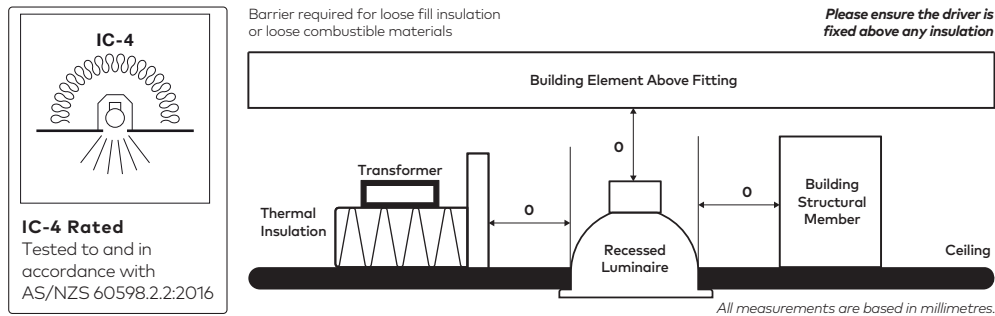


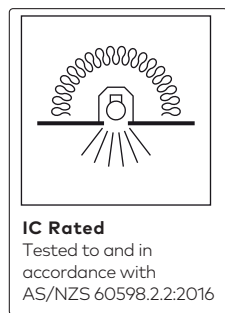
Minimum clearance for luminaire

ⓘ **Risk of Fire** – Required clearance from structure members and building elements. Details below:



IC-4 Rated
Tested to and in accordance with AS/NZS 60598.2.2:2016

Adjustable Model



IC Rated
Tested to and in accordance with AS/NZS 60598.2.2:2016

Product Code
AADJXXXX

For Apex models that are adjustable, the luminaire is IC Rated.

Corrosion Protection

It is important to note that care must be taken during installation or maintenance to ensure that the surface of the luminaire is not damaged. Any damage, which is exposed to moisture will result in corrosion occurring.

Please also note that any chemical applications on the luminaire or chemical contact via installation will cause corrosion of the surface of the luminaire and will void the warranty.

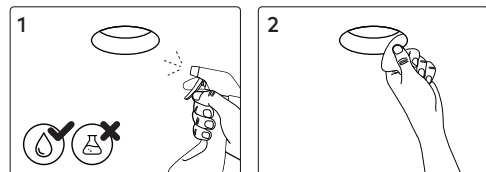
Ambient Conditions

Recommended to install in an ambient temperature <35°C.



Cleaning

Warning: Before cleaning, disconnect from mains supply and allow luminaire to cool.



Disposal

Ensure correct disposal of this product (waste electrical and electronic equipment)



Apex

SERIES

Base Codes	Small APEX0080	Medium APEX0105	Large APEX0145	Adjustable AADJ0097	Power 8-25 Watts
	Class III Luminaire only	IP Rating 65, 20	Material Aluminium	Install Person/s 1x	

CAUTION – This product must be installed by a qualified installer
Please read instruction manual carefully before installing luminaire

Surge Protection
For comprehensive protection of a luminaire against electrical surges, surge protection shall be installed on the mains supply where required to protect luminaires and drivers from transient voltage damage.

For warranty information visit unios.com/warranty

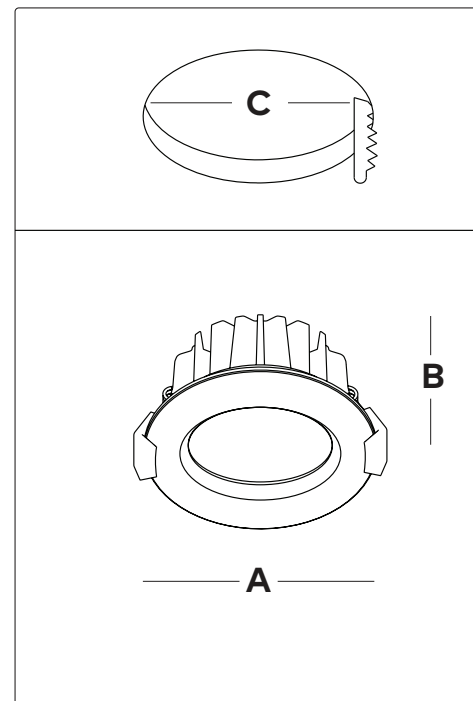
Please read these installation instructions carefully before installing this product. This product must be installed and maintained by a suitably qualified person/s in compliance with the latest applicable regulations and relevant legislation.

Unios does not warrant any claim based on defects or damage caused by misuse, improper installation, improper operation and/or modifications carried out by the purchaser or third parties. This product shall not be used as a 'working light' during construction. This will result in the warranty of the product to be void. For warranty duration, please refer to the data sheet.

Sizing Variations

Product Code	A	B	C
APEX0080 (IP65)	Ø 80	50	Ø 70
APEX0105 (IP65)	Ø 105	50	Ø 92
APEX0145 (IP65)	Ø 145	70	Ø 125
AADJ0097 (IP65)	Ø 97	75	Ø 90
Accessories			
APSS0120 (IP20)	Ø 85	120	-
APSM0130 (IP20)	Ø 105	130	-
APSL0135 (IP20)	Ø 150	135	-

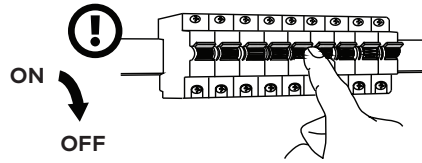
Products paired with accessories are Class I.
All measurements are in millimetres.



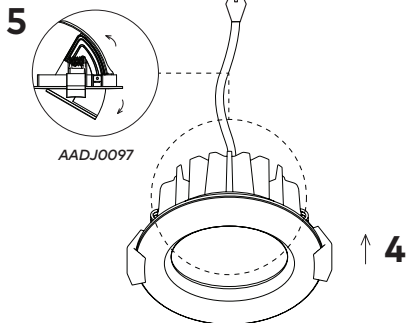
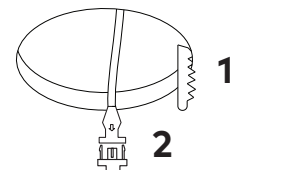
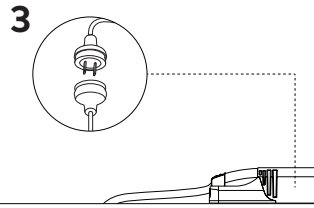
Additional Accessories

Small Surface Mount Kit (APSS0120)	Medium Surface Mount Kit (APSM0130)	Large Surface Mount Kit (APSL0135)

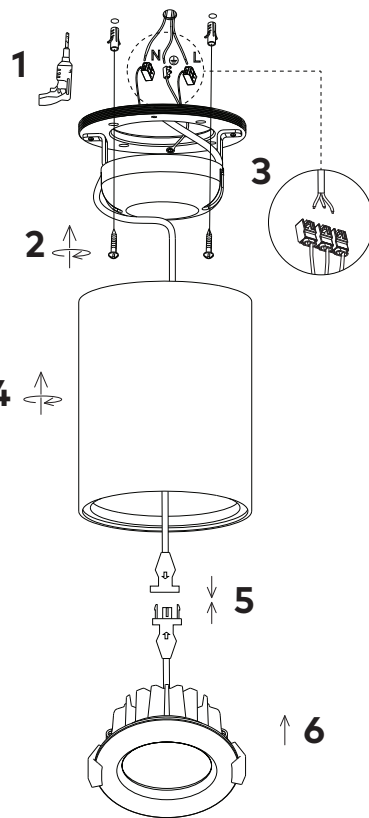




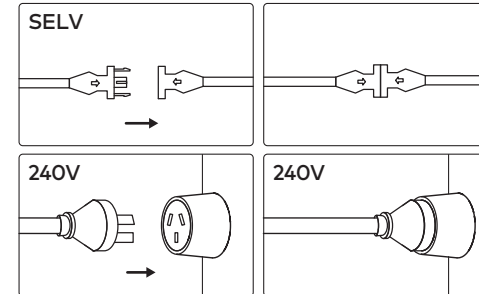
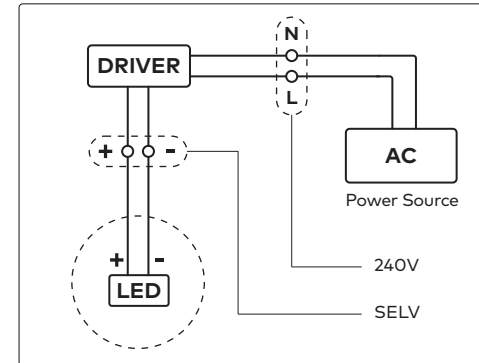
Downlight
APEX



SM Kit
APSS, APSM, APSL



Wiring



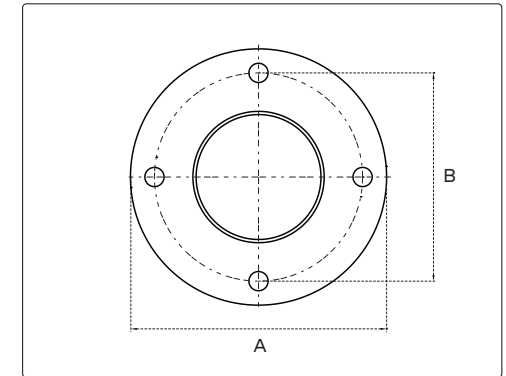
Dimming

This luminaire can be dimmed. Unios® recommends a phase-cut dimmer or DALI solution optimised for LED technology.

For full list of compatible drivers, see unios.com

Mounting Plate

Supplied as an additional accessory



Product Code	A	B
APSS0120	80	65
APSM0130	102	76
APSL0145	145	120

All measurements are in millimetres.

Luminaire Compatibility

Product Code	Output Power	Driving Current	Forward Voltage
APEX0080	8W	200mA	36-38V
	10W	250mA	
APEX0105	8W	200mA	36-38V
	10W	250mA	
	13W	300mA	
APEX0145	15W	350mA	36-38V
	10W	250mA	
	13W	300mA	
	25W	700mA	
AADJ0097	8W	200mA	36-38V
	10W	250mA	
	13W	300mA	
	15W	350mA	

