

# Cast

LINEAR LIGHT 

 <b>Class I</b> 220-240V ~ 50/60Hz	<b>Power</b> See table below	<b>IP Rating</b> 20	<b>Material</b> Aluminium	<b>Warranty</b> 5 Years				
---	---------------------------------	------------------------	------------------------------	----------------------------	---	---	---	---

**ⓘ CAUTION** – Must Be Installed By A Licensed Electrician

Please read instruction manual on **both** sides carefully before installing luminaire.

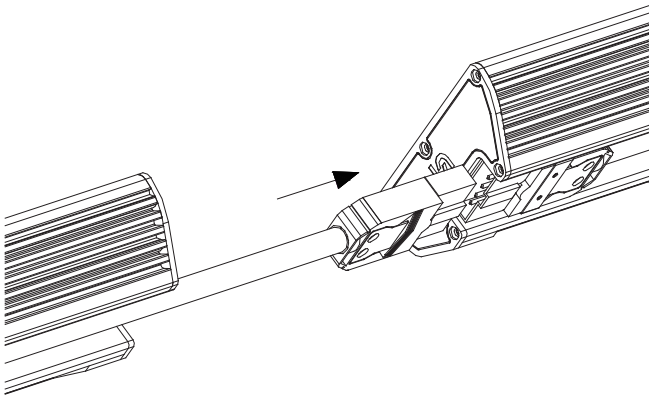
- Please read instructions for installation of luminaire provided below. Safety of this luminaire and warranty will be voided unless followed.
- Installation and operation of this luminaire must be within accordance with national safety regulations. Unios® does not warrant any liability when damage is caused by misuse or improper installation.
- This luminaire is void of warranty if any part has been modified. Please visit [unios.com/warranty](http://unios.com/warranty) for more information.
- Over-voltage protection units should be installed to prevent electronic control gear from failing due to electrical spikes, e.g. from switching of inductive loads.

## Installation Instructions

- 1 Must be installed by a Licensed Electrician.
- 2 Before installing, make sure the power supply is switched off.
- 3 Follow the steps below for installation:
  - A. Install tilt clip if required. See page 2 for instructions.
  - B. Place Luminaire in desired location. If there are multiple luminaires it is recommended to place all of them in desired locations first.

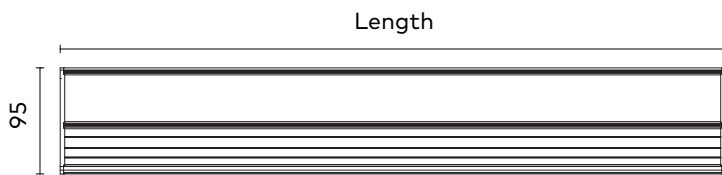
*Note: As the luminaire has an asymmetrical lens, it is recommended to face the driver side of the luminaire towards the desired direction of illumination.*

  - C. Connect luminaires together using quick connect plugs. If there is excess cable, the cable can be retracted back into the body (only for models 580mm and longer).
  - D. Terminate mains power to starter lead (not supplied).
  - E. Connect starter lead to first luminaire.



## Luminaire Length, Power & Cutout

Note: It is recommended to check length on site before installation.

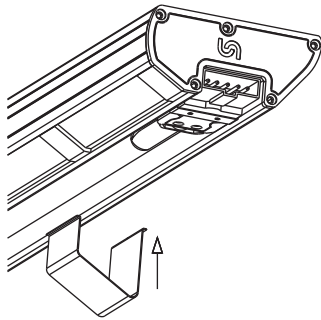


Product Code	Nominal Power	LxW	Height		
			at 0°	at 15°	at 30°
CAHO0300	17W	300x95	42	60	75
CAHO0580	35W	580x95	42	60	75
CAHO1140	65W	1140x95	42	60	75
CAHO2260	130W	2260x95	42	60	75

All measurements listed are in millimetres.



## Tilt Clip Installation



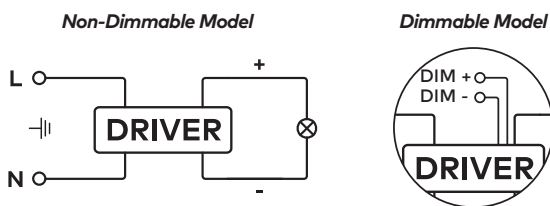
Product Code	Clip Qty
CAHO0300	2
CAHO0580	2
CAHO1140	3
CAHO2260	4

Follow the steps below for tilt clip installation:

- Align the longer edge of the tilt clip with the diffuser side.
- While slightly squeezing the clip, slide into underside of luminaire as shown on the diagram above.
- Please see table above for recommend quantity of tilt clips per length.

## Wiring

This luminaire must be installed in conjunction with electronic control gear (Built-in).



## Dimming

Standard model is non-dimmable. If dimmable model has been supplied (1-10V or DALI), please refer to electronic control gear and specification to determine suitable control system.

## Accessories (not included)



## Cleaning

Before cleaning, disconnect from mains supply and allow luminaire to cool.

Regular cleaning of the luminaire is **strongly recommended**. In harsher conditions, it is recommended that a strict cleaning schedule is in place to ensure no eroding chemicals are left on the surface for long periods. To clean luminaire, only use a damp, microfibre cloth. A dilute solution of a mild pH-neutral liquid detergent can be used for resistant dirt (Solvents must not be used). Please note surface of luminaire must be wiped down with a clean damp microfibre cloth to ensure no residue is left on the surface. Take care not to damage the surface of the luminaire. Do not use high pressure cleaners.

## Cleaning of Luminaire Lens

The luminaire lens or glass can be cleaned with glass specific cleaning agents that are ph-neutral, alcohol-free and non-abrasive. Always use a damp microfibre cloth and take care not to damage any seals surrounding the glass.



Class I

Luminaire in which protection against electric shock does not rely on basic insulation only, but which requires conductive parts to be connected a protective earthing conductor.



IP20

Protected against solid bodies no larger than 12.5mm and no protection against moisture or liquids.



AC

220-240V 50-60hz AC Supply.



Indoor Use

This luminaire is suitable for indoor use only.

