

Diamond

FLOODLIGHT 

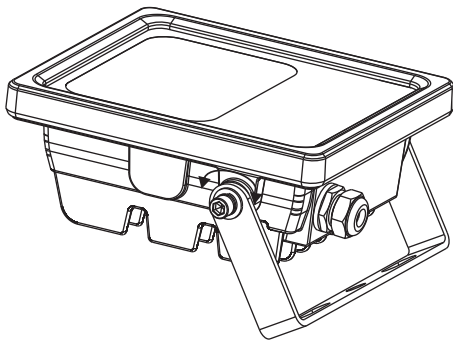
 Class I 220-240V ~ 50/60Hz	Power 10 30 50 70 100 150 200 Watts	IP Rating 65	Material Aluminium	Warranty 5 Years					
---	---	------------------------	------------------------------	----------------------------	---	---	---	---	---

ⓘ CAUTION – Must Be Installed By A Licensed Electrician

Please read instruction manual on **both** sides carefully before installing luminaire.

- Please read instructions for installation of luminaire provided below. Safety of this luminaire and warranty will be voided unless followed.
- Installation and operation of this luminaire must be within accordance with national safety regulations. Unios™ does not warrant any liability when damage is caused by misuse or improper installation.
- This luminaire is void of warranty if any part has been modified. Please visit unios.com/warranty for more information.
- Over-voltage protection units should be installed to prevent electronic control gear from failing due to electrical spikes, e.g. from switching of inductive loads.

A

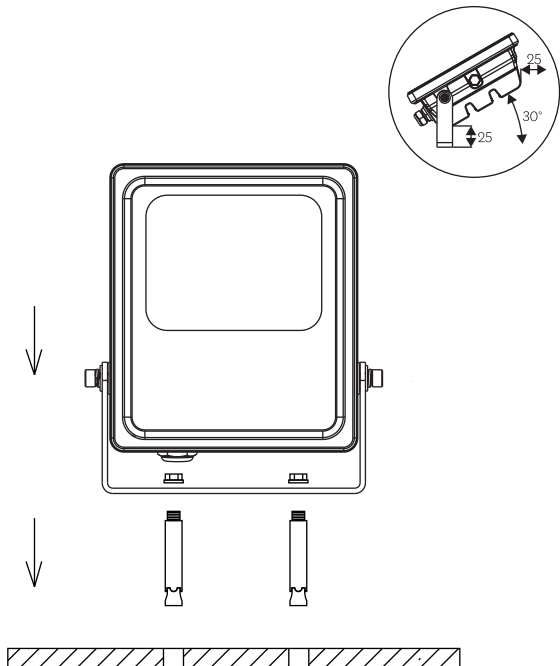


Installation Instructions

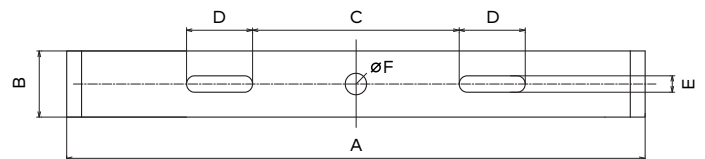
- 1 Must be installed by a licensed electrician.
- 2 Before installing, make sure the power supply is switched off.
- 3 Follow the steps in the figure shown for installation:
 - A. Adjust luminaire to allow flexible mounting plate access by using the hex key as show in Figure A1.
 - B. Fix the mounting plate onto the surface with appropriate fasteners.
 - C. Once fixed, ensure that the heatsink is at least at a 30 degree angle above the horizontal plane and 25mm away from any object before re-tightening the hex key.
 - D. Cable supplied must be connected to mains power in accordance with all relevant standards.

Note: After completing above steps, ensure the luminaire is firmly fixed to the mounting plate. The luminaire must be cleaned following these installation instructions. Termination of wiring and installation of the product shall be conducted such that the luminaire's stated IP rating is not affected.

B



Mounting Plate



Model	A	B	C	D	E	F
10W Model	124	17	50	20	8	8
30W Model	185	25	70	30	8	8
50W Model	214	30	90	30	10	13
70W Model	259	35	110	30	10	13
100W Model	259	35	110	30	10	13
150W Model	320	40	125	40	10	13
200W Model	350	40	125	40	10	13



FOR WARRANTY INFORMATION VISIT UNIOS.COM/WARRANTY

Please read these installation instructions carefully before installing this luminaire. The luminaire is designed for installation in accordance with relevant Australian Standards (AS/NSZ 3000). Installation of this luminaire must comply with local regulations. If luminaire is not installed according to the instructions, the warranty for the luminaire may be void.

ENQUIRIES

+61 8 9248 1888
sales@unios.com

Accessories (Included)



2x Anchor Plugs



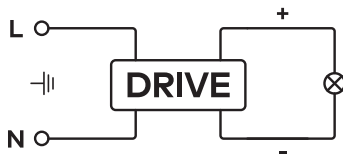
2x Phillips Screws



1x Allen Key

Wiring

This luminaire must be installed in conjunction with electronic control gear (Built-in).



Dimming

This luminaire can not be dimmed.
Specific DALI option available.

Cleaning

Before cleaning, disconnect from mains supply and allow luminaire to cool.

Regular cleaning of the luminaire is **strongly recommended**. In harsher conditions, it is recommended that a strict cleaning schedule is in place to ensure no eroding chemicals are left on the surface for long periods. To clean luminaire, only use a damp, microfibre cloth. A dilute solution of a mild pH-neutral liquid detergent can be used for resistant dirt (Solvents must not be used). Please note surface of luminaire must be wiped down with a clean damp microfibre cloth to ensure no residue is left on the surface. Take care not to damage the surface of the luminaire. Do not use high pressure cleaners.

Corrosion Protection

It is important to note that care must be taken during installation or maintenance to ensure that the surface of the luminaire is not damaged. Any damage, which is exposed to moisture will result in corrosion occurring.

Please also note that any chemical applications on the luminaire will cause corrosion of the surface of the luminaire and will void the warranty.

Cleaning of Luminaire Lens

The luminaire lens or glass can be cleaned with glass specific cleaning agents that are ph-neutral, alcohol-free and non-abrasive. Always use a damp microfibre cloth and take care not to damage any seals surrounding the glass.



Class I

Luminaire in which protection against electric shock does not rely on basic insulation only, but which requires conductive parts to be connected a protective earthing conductor.



IP65

Protected against dust completely and Jets of water from all directions.



IK08

Protected against 5 joules impact. Equivalent to impact of 1.7 kg mass dropped from 300 mm above impacted surface.



AC

220-240V 50-60hz AC Supply.



Outdoor Use

This luminaire is suitable for outdoor use, taking in consideration of the IP rating.

