

Strip Mounting

**IMPORTANT:** Refer to ESD Protection Section located on page 1 before mounting strip.

**1**

**Recommended cleaning products:**  
Wax and grease remover, methylated spirits, isopropyl alcohol or surface cleaners.

**2**

Eclipse G2  
Aluminium Channel

**3**

Avoid pressing LED too hard and/or sliding fingers across strip.

Cutting Guide

**Model:** 6mm Strip (EC60XXXX.FPXX)

✂ - 20mm - ✂

Parts

2x Mounting Clips (per metre)

2x Mounting Screws (per metre)

2x End Caps (per metre)

Corrosion Protection

It is important to note that care must be taken during installation or maintenance to ensure that the surface of the luminaire is not damaged. Any damage, which is exposed to moisture will result in corrosion occurring.

Please also note that any chemical applications on the luminaire or chemical contact via installation will cause corrosion of the surface of the luminaire and will void the warranty.

Ambient Conditions

Recommended to install in an ambient temperature <35°C.



Disposal

Ensure correct disposal of this product (waste electrical and electronic equipment).



Eclipse G2 Glide Mini

LINEAR SERIES

<b>Base Codes</b>	<b>6mm Strip</b> EC60XXXX	<b>Glide Mini GS10</b> -GS10XX.XX	<b>Power</b> 10 Watts
	<b>Class III</b> 24V DC	<b>IP Rating</b> 20	<b>Material</b> Aluminium
	<b>Install Person/s</b> 1-2		

**CAUTION – This product must be installed by a qualified installer**  
Please read instruction manual carefully before installing luminaire

**Surge Protection**  
For comprehensive protection of a luminaire against electrical surges, surge protection shall be installed on the mains supply where required to protect luminaires and drivers from transient voltage damage.

**For warranty information visit unios.com/warranty**

Please read these installation instructions carefully before installing this product. This product must be installed and maintained by a suitably qualified person/s in compliance with the latest applicable regulations and relevant legislation. Unios does not warrant any claim based on defects or damage caused by misuse, improper installation, improper operation and/or modifications carried out by the purchaser or third parties. This product shall not be used as a 'working light' during construction. This will result in the warranty of the product to be void. For warranty duration, please refer to the data sheet.

**ESD Protection**

When Handling this product, care must be taken so that the LED strip is not damaged. Damage due to inappropriate handling is not covered by warranty.

The following precautions **must** be taken:

- Ensure device is switched off and disconnected from power supply.
- During assembly/disassembly, care must be taken during handling of LED strip.
- Always ensure to discharge yourself of all charge by touching a grounded bare metal surface or approved anti-static mat before working on device.



**CAUTION**  
Contains parts and assemblies susceptible to damage by electrostatic discharge (ESD)

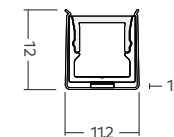
Twisted

Sagging/Hanging

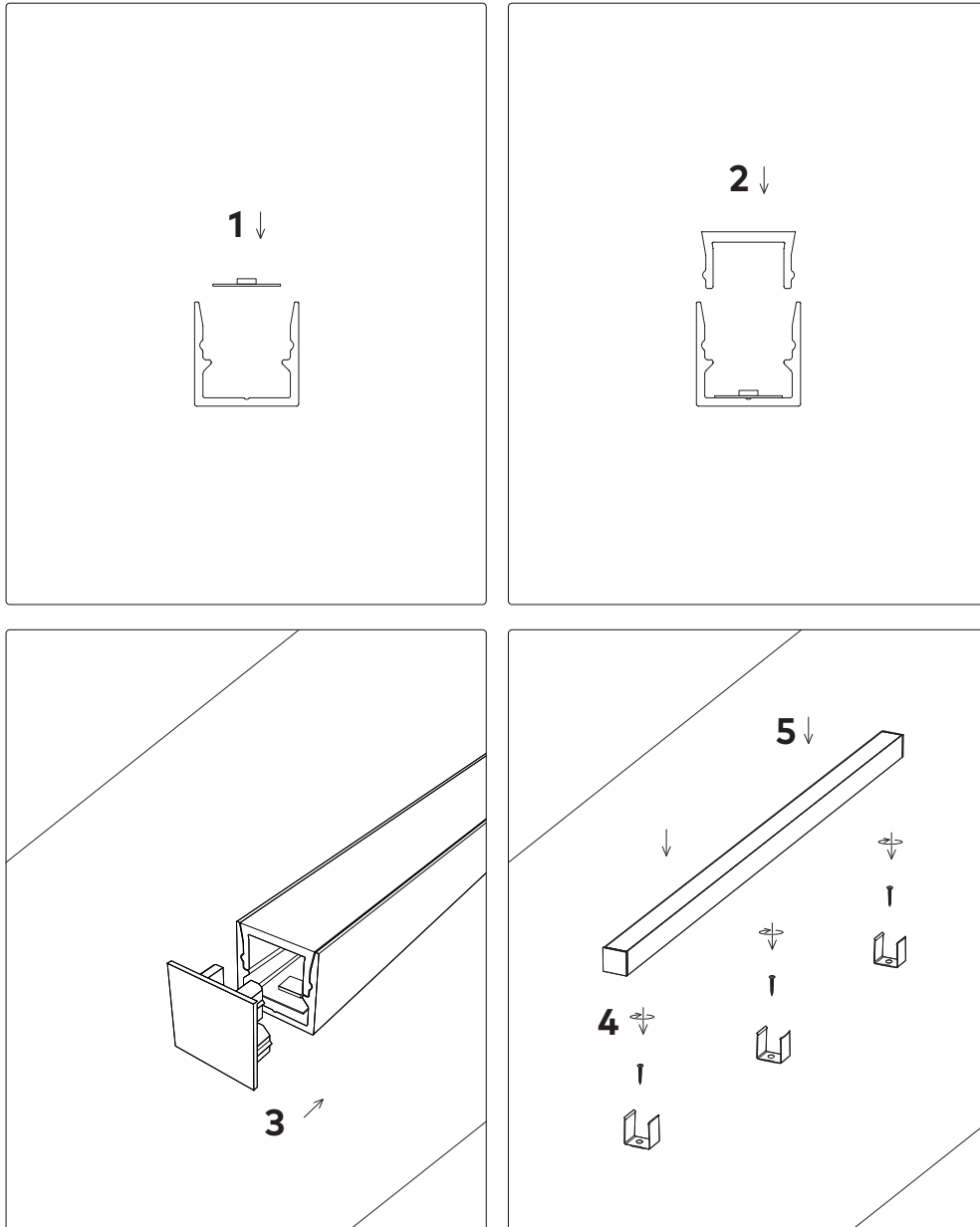
Installed without aluminium channel

Cutting outside designated area

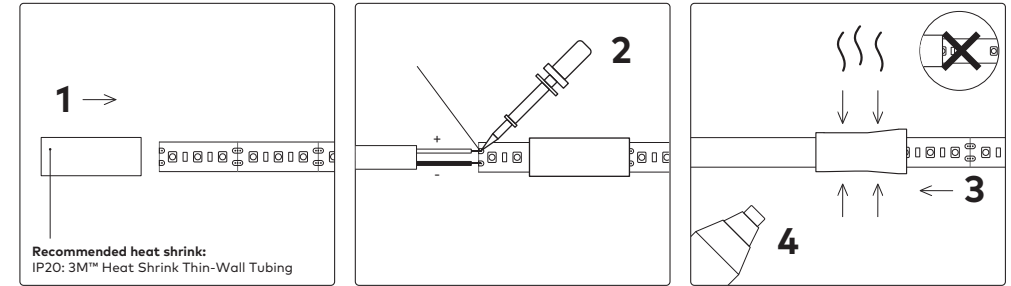
Glide Mini GS10



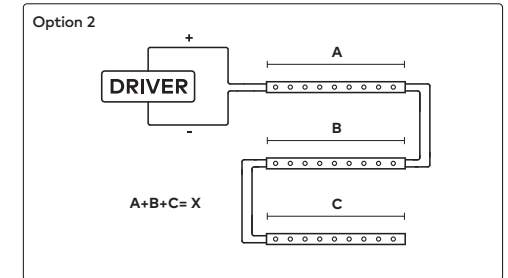
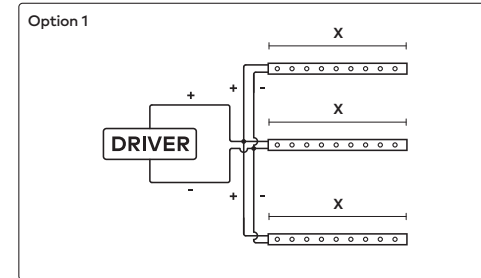
Glide Mini GS10 Surface Mounted Profile



Soldering Striplight



Wiring Options



Product Code	Max. single length run (X)
EC60XX10	5m

Dimming

For dimming capabilities, luminaire must be paired with dimmable driver. Please refer to driver's instructions for pairing of suitable systems.

