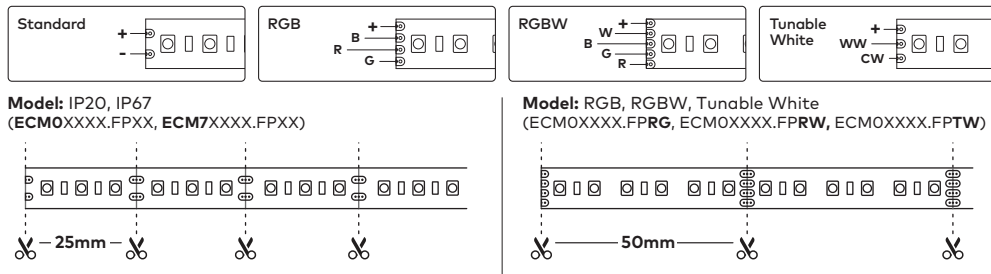
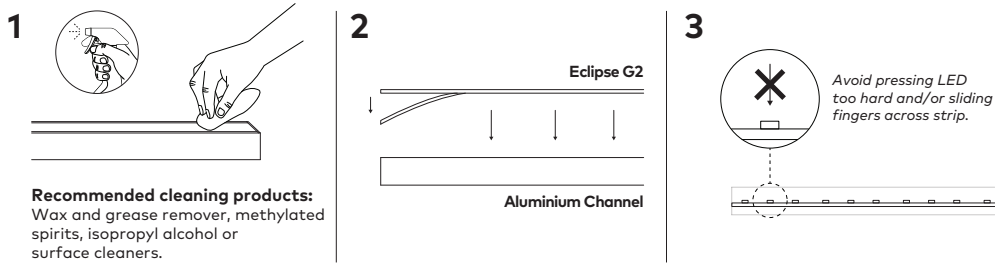


## Cutting Guide



## Strip Mounting

**IMPORTANT:** Refer to ESD Protection Section located on page 1 before mounting strip.



## Parts



## Corrosion Protection

It is important to note that care must be taken during installation or maintenance to ensure that the surface of the luminaire is not damaged. Any damage, which is exposed to moisture will result in corrosion occurring.

Please also note that any chemical applications on the luminaire or chemical contact via installation will cause corrosion of the surface of the luminaire and will void the warranty.

For humid and dusty environments, Eclipse IP20 Strip Light must be used with a suitable extrusion or the use of Eclipse IP67 Strip Light is recommended.

## Ambient Conditions

Recommended to install in an ambient temperature <35°C.



## Disposal

Ensure correct disposal of this product (waste electrical and electronic equipment).



## Eclipse G2 Glide S

LINEAR SERIES

Base Codes	IP20 Strip ECM0XXXX	IP67 Strip ECM7XXXX	Glide GS19 -GS19XX.XX	Glide GR30 -GR30XX.XX	Glide GA27 -GA27XX.XX	Power 5 - 20 Watts						
	Class III 24V DC		IP Rating 20   67		Material Aluminium		Install Person/s 1-2					

**CAUTION – This product must be installed by a qualified installer**  
Please read instruction manual carefully before installing luminaire

**Surge Protection**  
For comprehensive protection of a luminaire against electrical surges, surge protection shall be installed on the mains supply where required to protect luminaires and drivers from transient voltage damage.

### For warranty information visit [unios.com/warranty](http://unios.com/warranty)

Please read these installation instructions carefully before installing this product. This product must be installed and maintained by a suitably qualified person/s in compliance with the latest applicable regulations and relevant legislation. Unios does not warrant any claim based on defects or damage caused by misuse, improper installation, improper operation and/or modifications carried out by the purchaser or third parties. This product shall not be used as a 'working light' during construction. This will result in the warranty of the product to be void. For warranty duration, please refer to the data sheet.

### ESD Protection

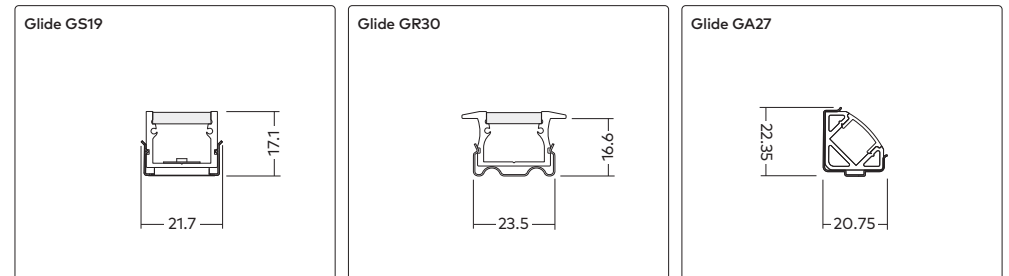
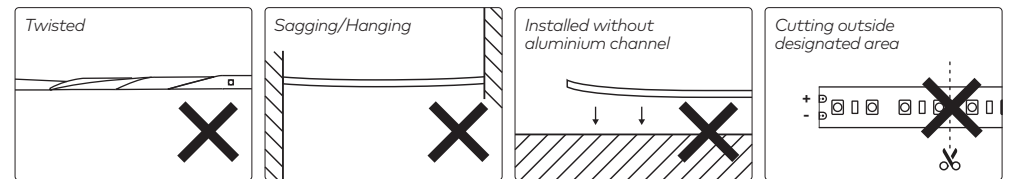
When Handling this product, care must be taken so that the LED strip is not damaged. Damage due to inappropriate handling is not covered by warranty.

The following precautions **must** be taken:

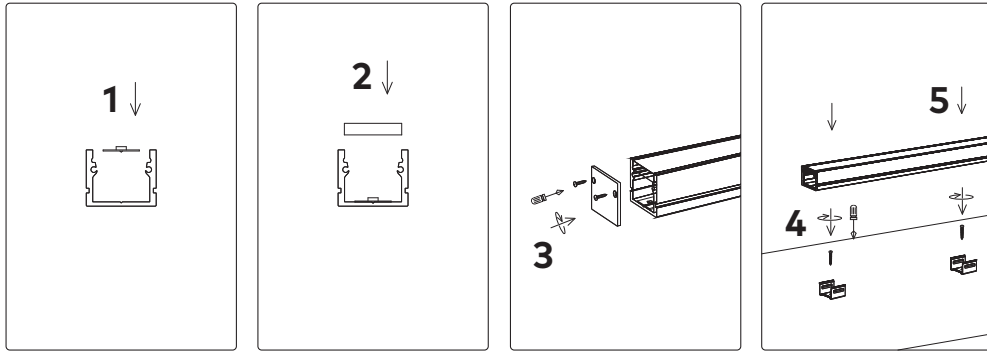
- Ensure device is switched off and disconnected from power supply.
- During assembly/disassembly, care must be taken during handling of LED strip.
- Always ensure to discharge yourself of all charge by touching a grounded bare metal surface or approved anti-static mat before working on device.



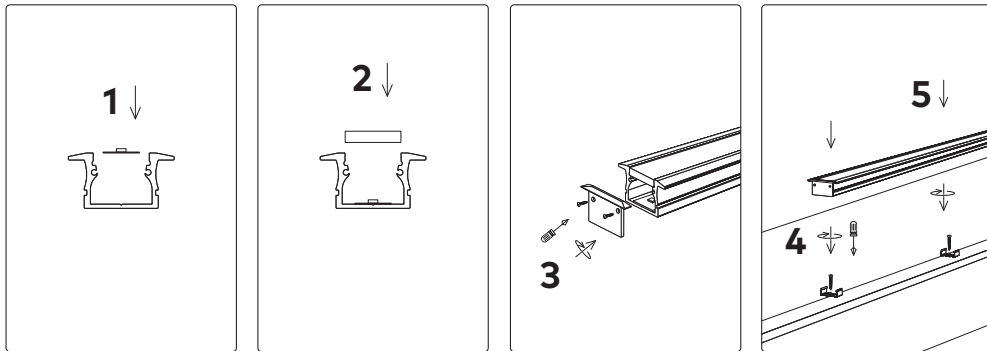
**CAUTION**  
Contains parts and assemblies susceptible to damage by electrostatic discharge (ESD)



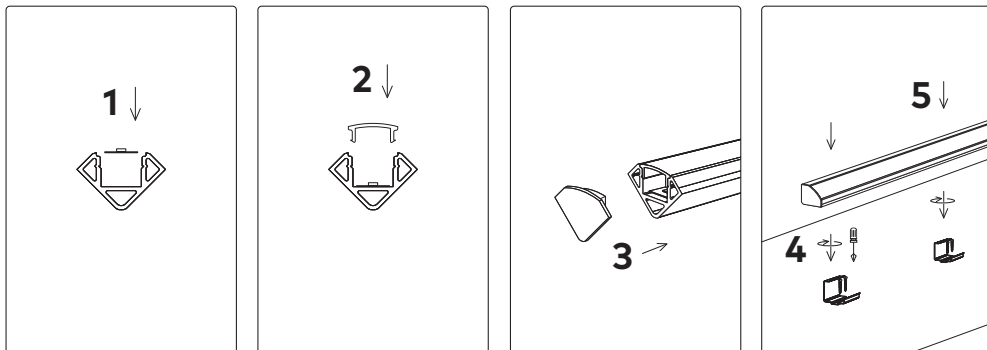
### Glide GS19 Surface Mounted Profile



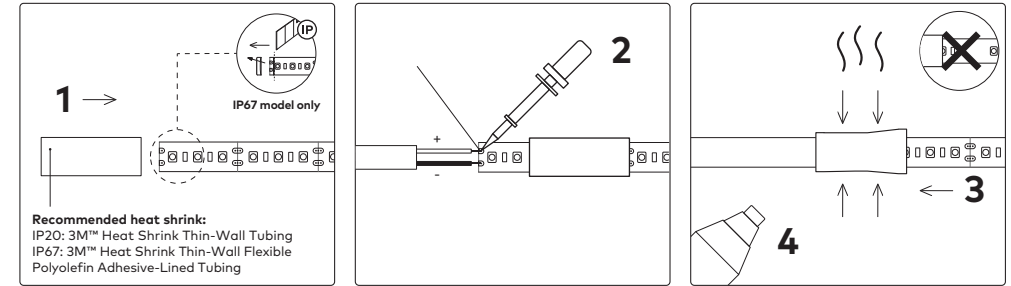
### Glide GR30 Recessed Profile



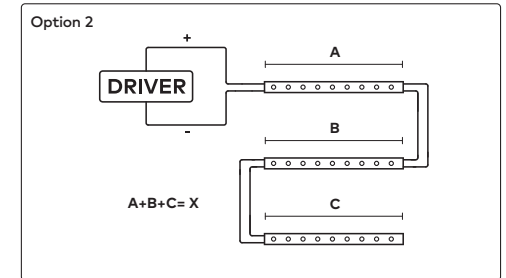
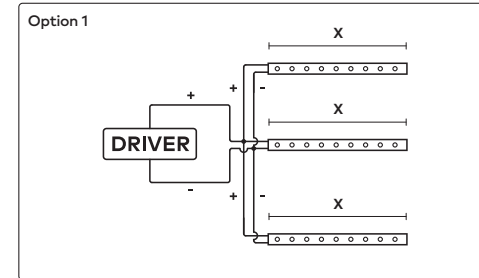
### Glide GA27 Surface Mounted Profile



### Soldering Striplight



### Wiring Options



Product Code	Max. single length run (X)
ECM0XX05/ECM7XX05	20m
ECM0XX10/ECM7XX10	10m
ECM0XX15/ECM7XX15	6.5m
ECM0XX20/ECM7XX20	5m

### Dimming

For dimming capabilities, luminaire must be paired with dimmable driver. Please refer to driver's instructions for pairing of suitable systems.