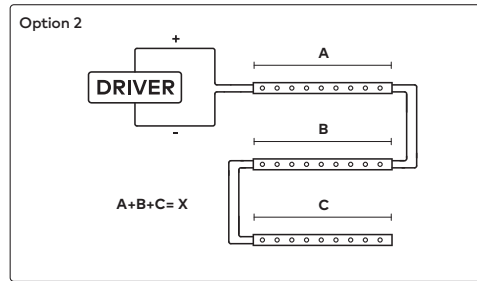
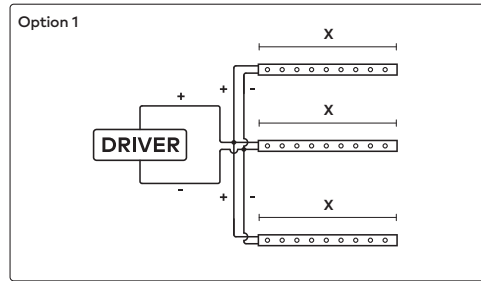


Wiring Options



Product Code	Max. single length run (X)
ECMOXX05	20m
ECMOXX10	10m
ECMOXX15	6m
ECMOXX20	5m
ECMOXXFP.15XX.15XX	6.5m

Dimming

For dimming capabilities, luminaire must be paired with dimmable driver. Please refer to driver's instructions for pairing of suitable systems.

Disposal

Ensure correct disposal of this product (waste electrical and electronic equipment).



Ambient Conditions

Recommended to install in an ambient temperature <math><35^{\circ}\text{C}</math>.



Corrosion Protection

It is important to note that care must be taken during installation or maintenance to ensure that the surface of the luminaire is not damaged. Any damage, which is exposed to moisture will result in corrosion occurring.

Please also note that any chemical applications on the luminaire or chemical contact via installation will cause corrosion of the surface of the luminaire and will void the warranty.

Eclipse G2 Glide 67

LINEAR SERIES

Base Codes	Glide 67 G125 -G125XX.XX	Glide 67 G125T -G125TXX.XX	Glide 67 G140 -G140XX.XX	Glide 67 G140T -G140TXX.XX	Power 5 - 30 Watts
	Class III 24V DC	IP Rating 67	Material Aluminium	Install Person/s 1-2	

CAUTION – This product must be installed by a qualified installer
Please read instruction manual carefully before installing luminaire

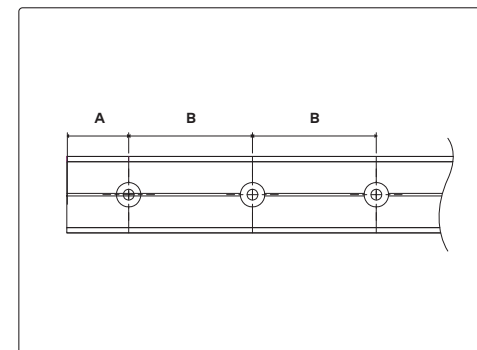
Surge Protection
For comprehensive protection of a luminaire against electrical surges, surge protection shall be installed on the mains supply where required to protect luminaires and drivers from transient voltage damage.

For warranty information visit unios.com/warranty

Please read these installation instructions carefully before installing this product. This product must be installed and maintained by a suitably qualified person/s in compliance with the latest applicable regulations and relevant legislation. Unios does not warrant any claim based on defects or damage caused by misuse, improper installation, improper operation and/or modifications carried out by the purchaser or third parties. This product shall not be used as a 'working light' during construction. This will result in the warranty of the product to be void. For warranty duration, please refer to the data sheet.

Glide67 G125	Glide67 G125T	Glide67 G140	Glide67 G140T

Mounting Guide

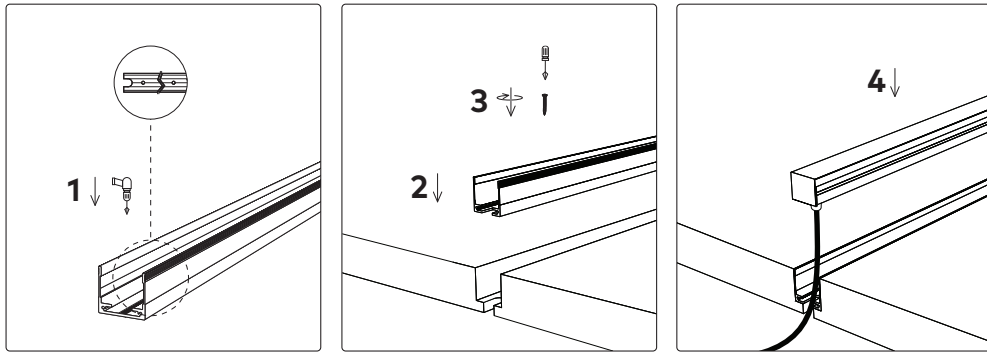


Length	Hole Qty	A	B
1000mm	3	150mm	350mm
2000mm	5	200mm	400mm
3000mm	6	250mm	500mm

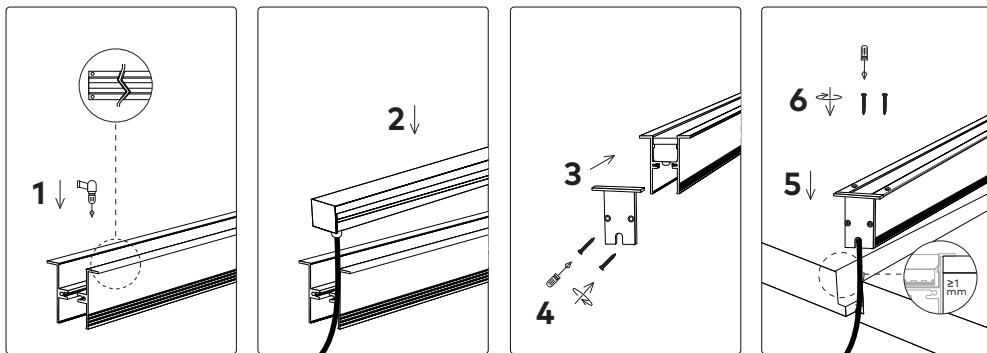
Note: A is the first measurement for both ends.



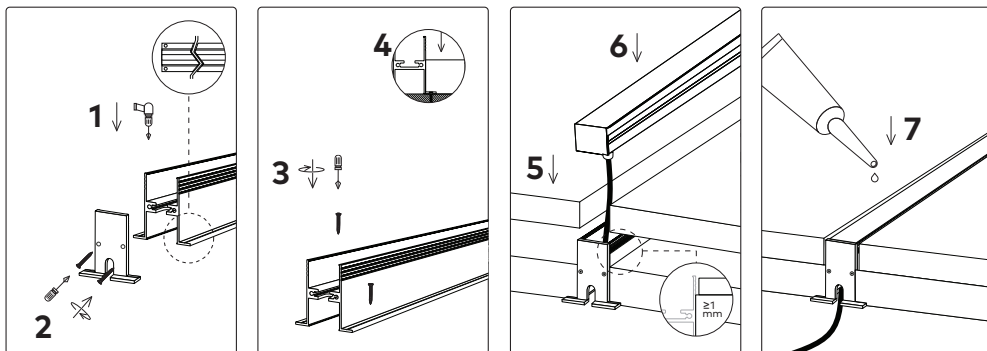
Glide67 GI25/GI40 Profile (Trimless Inset)



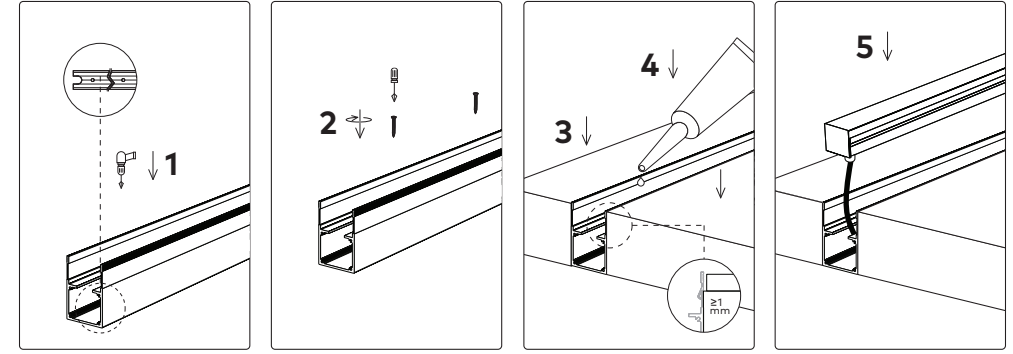
Glide67 GI25T Profile (Recessed Trim)



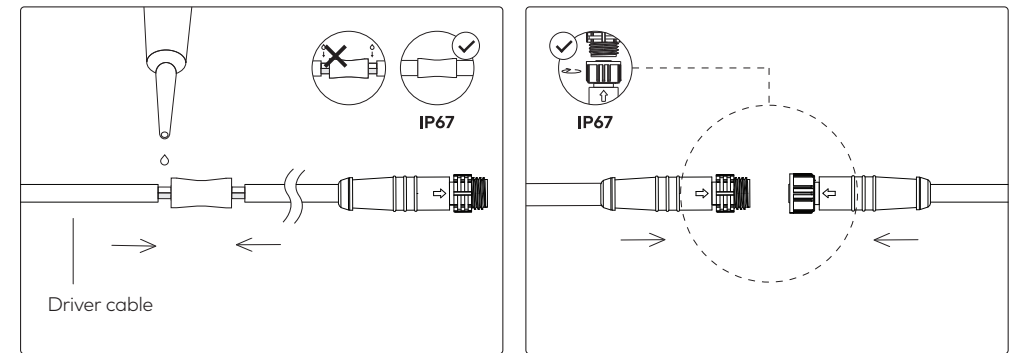
Glide67 GI25T Profile (Trimless Inset)



Glide67 GI40T Profile (Trimless Inset)



IP67 Driver Connection



IP67 Drainage Requirement

