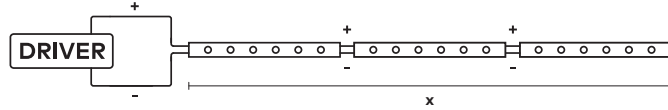


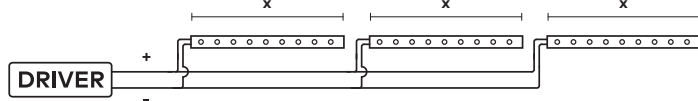
## Wiring Methods

For dimming capabilities, luminaire must be paired with dimmable electronic control gear. Please refer to control gear's instructions for pairing of suitable systems.

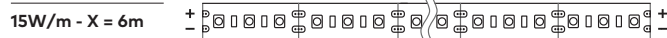
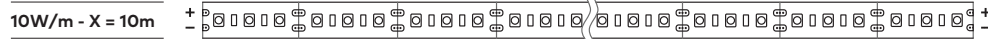
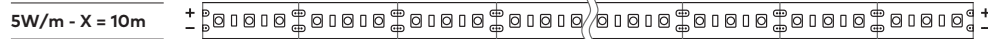
### Option 1:



### Option 2:



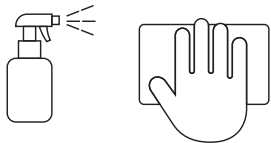
### Maximum single length runs:



## Strip Mounting

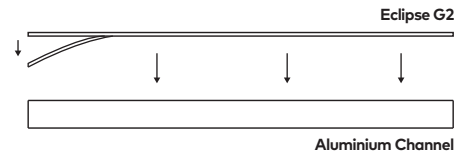
See ESD Protection Guide on page 1 before mounting.

1



Clean the mounting surface of aluminium channel with a lint free cloth and with one of the following: wax and grease remover, methylated spirits, isopropyl alcohol or surface cleaners. Allow time for cleaners to dry before mounting the Eclipse G2.

2



Remove the mounting tape on the back of the Eclipse G2. Pull protective later at small increments to avoid attracting dirt, debris and the Eclipse G2 to stick to itself. Apply pressure evenly on the Eclipse G2. Avoid pressing too hard and/or sliding fingers across LED strip.



## Eclipse G2

LINEAR SERIES

<b>Class III</b> 24V DC	<b>Power</b> 5-20W	<b>IP Rating</b> 20   67	<b>Material</b> Flex PCB	<b>Warranty</b> 3 Years
----------------------------	-----------------------	-----------------------------	-----------------------------	----------------------------



### CAUTION – Must be installed by a licensed electrician

Please read instruction manual carefully before installing luminaire

- Please read instructions for installation of luminaire provided below. Safety of this luminaire and warranty will be voided unless followed.
- Installation and operation of this luminaire must be within accordance with national safety regulations. Unios does not warrant any liability when damage is caused by misuse or improper installation.
- This luminaire is void of warranty if any part has been modified. Please visit [unios.com/warranty](http://unios.com/warranty) for more information.
- Over-voltage protection units should be installed to prevent electronic control gear from failing due to electrical spikes, e.g. from switching of inductive loads.
- Strip must be installed on an aluminium channel.

### ESD PROTECTION

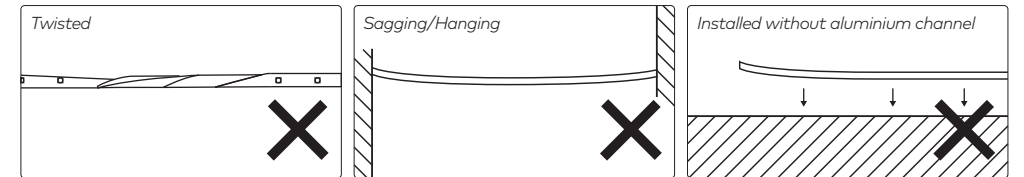
When Handling this product, care must be taken so that the LED strip is not damaged. Damage due to inappropriate handling is not covered by warranty.

The following precautions **must** be taken:

- Ensure device is switched off and disconnected from power supply.
- During assembly/disassembly, care must be taken during handling of LED strip.
- Always ensure to discharge yourself of all charge by touching a grounded bare metal surface or approved anti-static mat before working on LED strip.



**CAUTION**  
Contains parts and assemblies susceptible to damage by electrostatic discharge (ESD)

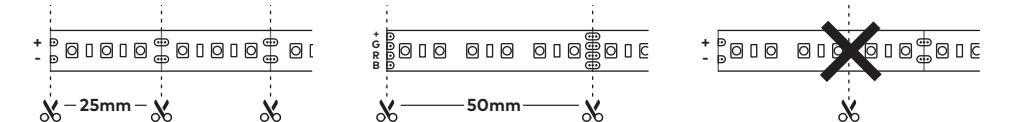


## Cutting Guide

**Model:** IP20, IP67  
(ECM0XXXX.FPXX, ECM7XXXX.FPXX)

**Model:** RGB (Displayed), RGBW  
(ECM0XXXX.FPRG, ECM0XXXX.FPRW)

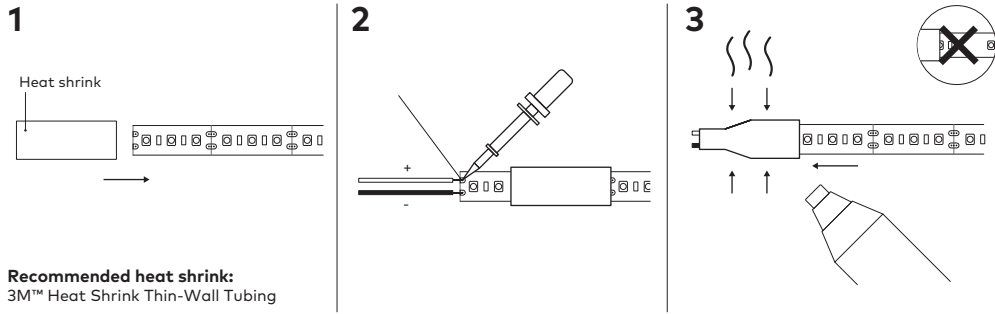
**Do not cut outside designated area.**



Soldering

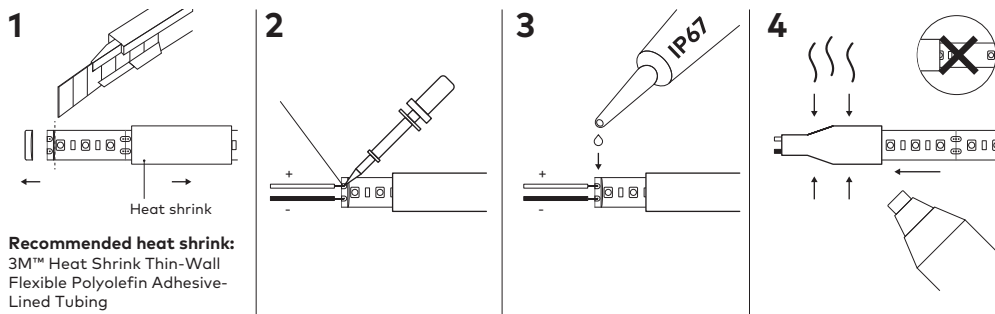
IP20 Striplight

Includes all **ECM0XXXX.FPXX** model variations.



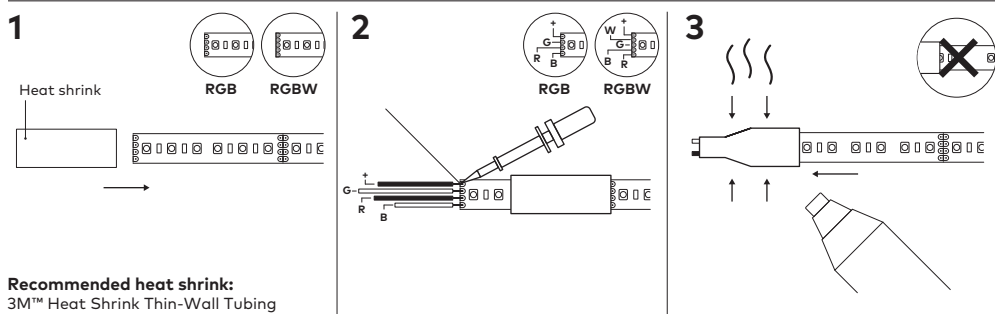
IP67 Striplight

Includes all **ECM7XXXX.FPXX** model variations.



RGB & RGBW Striplight

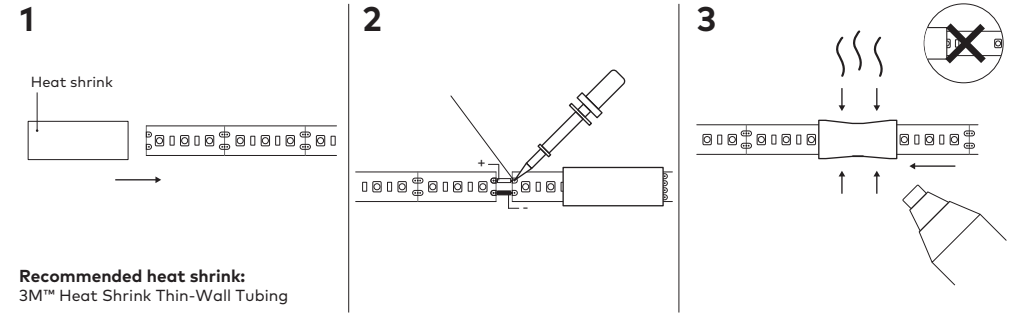
Includes all **ECM0XXXX.FPRG & ECM0XXXX.FPRW** model variations.



Soldering Strip to Strip

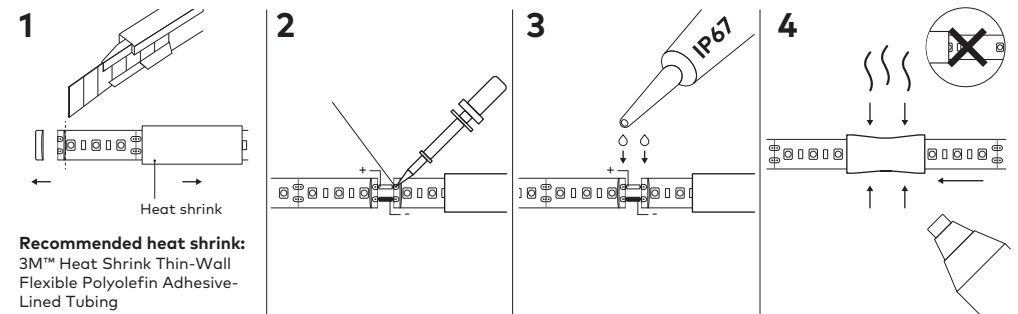
IP20 Strip to Strip

Includes all **ECM0XXXX.FPXX** model variations.



IP67 Strip to Strip

Includes all **ECM7XXXX.FPXX** model variations.



RGB & RGBW Strip to Strip

Includes all **ECM0XXXX.FPRG & ECM0XXXX.FPRW** model variations.

