

Emerald (Round)

DECK LIGHT



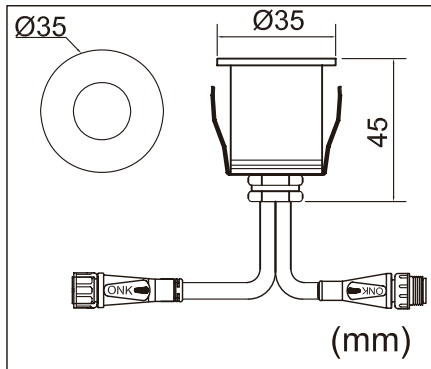
Class III 24V DC	Power 0.6 Watts	IP Rating 67	Material Stainless Steel 316 Marine Grade	Warranty 3 Years				
----------------------------	---------------------------	------------------------	---	----------------------------	--	--	--	--

CAUTION – Must Be Installed By A Licensed Electrician

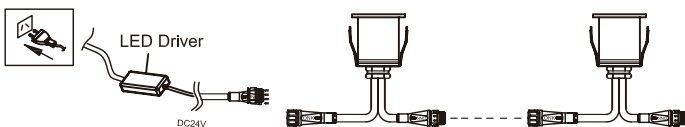
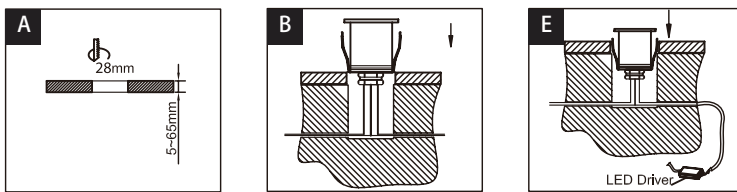
Please read instruction manual on **both** sides carefully before installing luminaire.

- Please read instructions for installation of luminaire provided below. Safety of this luminaire and warranty will be voided unless followed.
- Installation and operation of this luminaire must be within accordance with national safety regulations. Unios™ does not warrant any liability when damage is caused by misuse or improper installation.
- This luminaire is void of warranty if any part has been modified. Please visit unios.com/warranty for more information.
- Over-voltage protection units should be installed to prevent electronic control gear from failing due to electrical spikes, e.g. from switching of inductive loads.

Installation Instructions



- 1 Must be installed by a licensed electrician.
- 2 Before installing, make sure the power supply is switched off.
- 3 Follow these steps for installation:
 - A. Cut specified diameter (28mm) in desired surface.
 - B. Ensure sufficient cable is supplied to cut out (size and length).
 - C. Adequate drainage must be provided in a way of a void underneath the luminaire.
 - D. Ensure any joins made between electronic control gear and luminaire are of a suitable IP rating for the location of the join being made. Joins that do not meet appropriate IP ratings will void warranty.
 - E. Fix the luminaire into the surface.



Wiring

This luminaire must be used in conjunction with a remote 24V Constant Voltage electronic control gear. Multiple luminaires must be wired in parallel.



Dimming

For dimming capabilities, luminaire must be paired with dimmable electronic control gear. Please refer to control gear's instructions for pairing of suitable systems.

Cleaning

Before cleaning, disconnect from mains supply and allow luminaire to cool.

Regular cleaning of the luminaire is **strongly recommended**. In harsher conditions, it is recommended that a strict cleaning schedule is in place to ensure no eroding chemicals are left on the surface for long periods. To clean luminaire, only use a damp, microfibre cloth. A dilute solution of a mild pH-neutral liquid detergent can be used for resistant dirt (Solvents must not be used). Please note surface of luminaire must be wiped down with a clean damp microfibre cloth to ensure no residue is left on the surface. Take care not to damage the surface of the luminaire. Do not use high pressure cleaners.

Corrosion Protection

It is important to note that care must be taken during installation or maintenance to ensure that the surface of the luminaire is not damaged. Any damage, which is exposed to moisture will result in corrosion occurring.

Please also note that any chemical applications on the luminaire will cause corrosion of the surface of the luminaire and will void the warranty.

Cleaning of Luminaire Lens

The luminaire lens or glass can be cleaned with glass specific cleaning agents that are ph-neutral, alcohol-free and non-abrasive. Always use a damp microfibre cloth and take care not to damage any seals surrounding the glass.

Class III

Luminaire in which protection against electric shock is provided by the use of Extra Low Voltage.

IP67

Fully protected from dust and can withstand being submerged in 1m of static water for up to 30 minutes.

24V DC

24V DC Supply.

Outdoor Use

This luminaire is suitable for outdoor use, taking in consideration of the IP rating.

