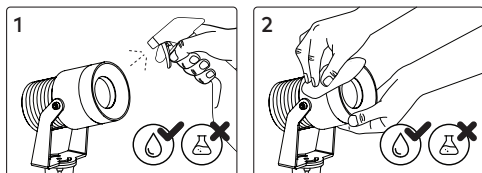


## Cleaning

Warning: Before cleaning, disconnect from mains supply and allow luminaire to cool.



## Disposal

Ensure correct disposal of this product (waste electrical and electronic equipment).



## Corrosion Protection

It is important to note that care must be taken during installation or maintenance to ensure that the surface of the luminaire is not damaged. Any damage, which is exposed to moisture will result in corrosion occurring.

Please also note that any chemical applications on the luminaire or chemical contact via installation will cause corrosion of the surface of the luminaire and will void the warranty.

## Ambient Conditions

Recommended to install in an ambient temperature <35°C.



## Emerald

SPIKE SPOTLIGHT

<b>Base Codes</b>	5W ESPI0005	10W ESPI0010	<b>Power</b> 5   10 Watts
	<b>Class III</b> 24V DC	<b>IP Rating</b> 65	<b>Material</b> Aluminium
	<b>Install Person/s</b> 1x		

**CAUTION – This product must be installed by a qualified installer**  
Please read instruction manual carefully before installing luminaire

**Surge Protection**  
For comprehensive protection of a luminaire against electrical surges, surge protection shall be installed on the mains supply where required to protect luminaires and drivers from transient voltage damage.

### For warranty information visit [unios.com/warranty](http://unios.com/warranty)

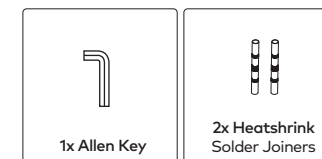
Please read these installation instructions carefully before installing this product. This product must be installed and maintained by a suitably qualified person/s in compliance with the latest applicable regulations and relevant legislation. Unios does not warrant any claim based on defects or damage caused by misuse, improper installation, improper operation and/or modifications carried out by the purchaser or third parties. This product shall not be used as a 'working light' during construction. This will result in the warranty of the product to be void. For warranty duration, please refer to the data sheet.

## Sizing Variations

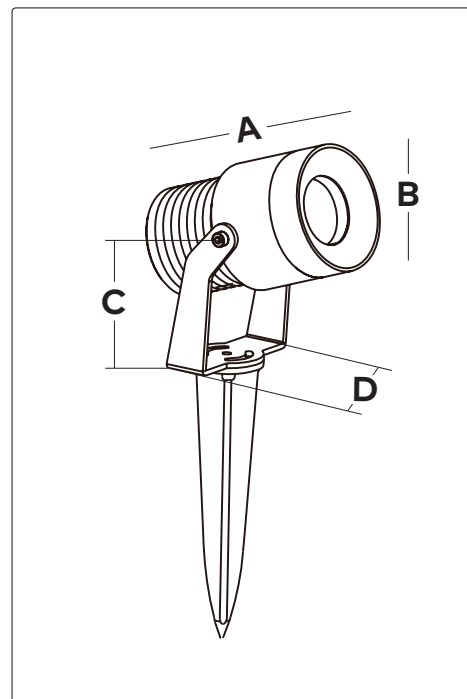
Product Code	A	B	C	D
ESPI0005	100	Ø 63	78	80
ESPI0010	110	Ø 75	86	92
Spike Height	155			

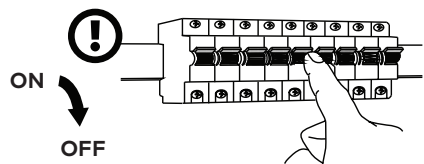
All measurements are in millimetres.

## Parts

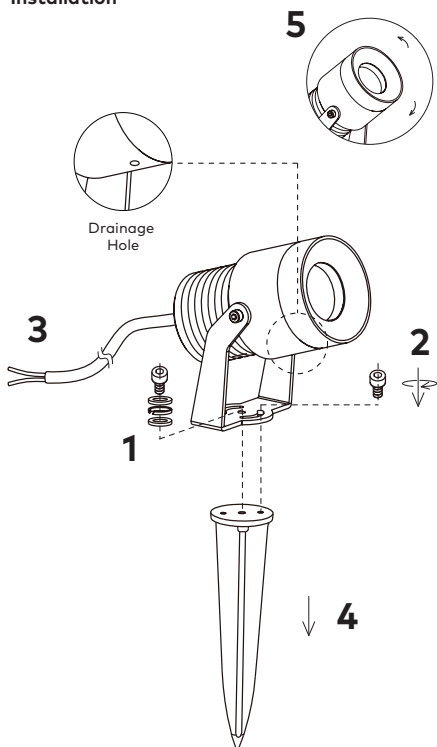


## Additional Accessories

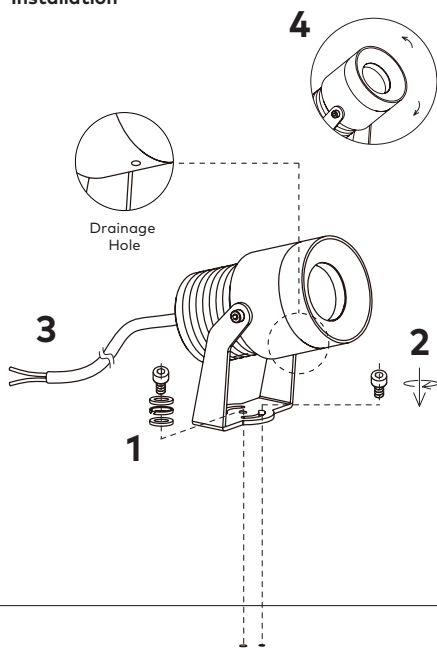




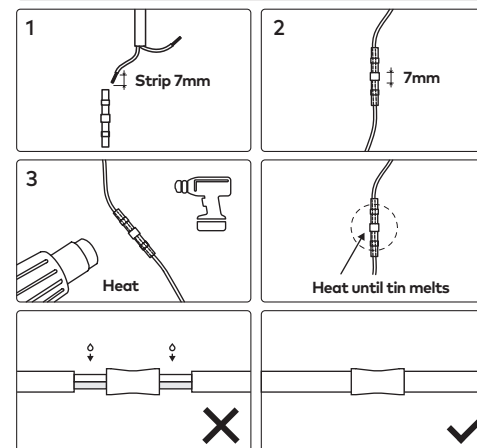
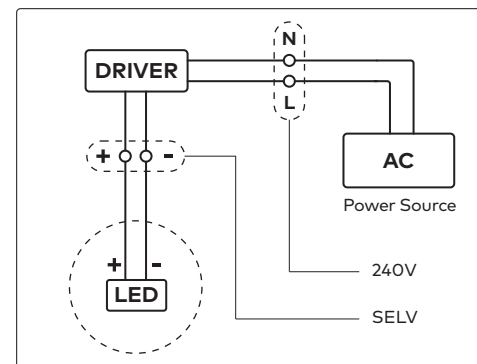
**Spike Installation**



**Surface Mount Installation**



**Wiring**



**Driver Selection**

Product Code	Output Power	Forward Voltage
ESPI0005	5W	24V DC
ESPI0010	10W	24V DC

**Dimming**

This luminaire can not be dimmed.  
Specific DALI option available.

