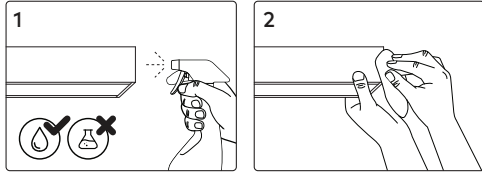


Cleaning

Warning: Before cleaning, disconnect from mains supply and allow luminaire to cool.



Disposal

Ensure correct disposal of this product (waste electrical and electronic equipment)



Corrosion Protection

It is important to note that care must be taken during installation or maintenance to ensure that the surface of the luminaire is not damaged. Any damage, which is exposed to moisture will result in corrosion occurring.

Please also note that any chemical applications on the luminaire or chemical contact via installation will cause corrosion of the surface of the luminaire and will void the warranty.

Ambient Conditions

Recommended to install in an ambient temperature <35°C.



FX Darklight

48V TRACK SERIES 

Base Codes	D02 (175mm) LGD20008	D03 (266mm) LGD30015	Power 8 15 Watts
 Class III 48V DC	IP Rating 20	Material Aluminium	Install Person/s 1x 



CAUTION – This product must be installed by a qualified installer
Please read instruction manual carefully before installing luminaire

Surge Protection
For comprehensive protection of a luminaire against electrical surges, surge protection shall be installed on the mains supply where required to protect luminaires and drivers from transient voltage damage.

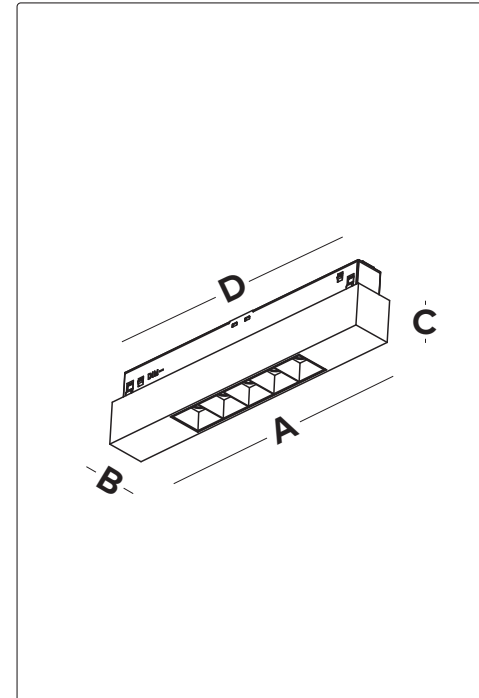
For warranty information visit unios.com/warranty

Please read these installation instructions carefully before installing this product. This product must be installed and maintained by a suitably qualified person/s in compliance with the latest applicable regulations and relevant legislation. Unios does not warrant any claim based on defects or damage caused by misuse, improper installation, improper operation and/or modifications carried out by the purchaser or third parties. This product shall not be used as a 'working light' during construction. This will result in the warranty of the product to be void. For warranty duration, please refer to the data sheet.

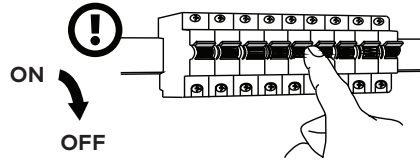
Sizing Variations

Product Code	A	B	C	D
LGD20008	175	22	25	166
LGD30015	266	22	25	166

All measurements are in millimetres.



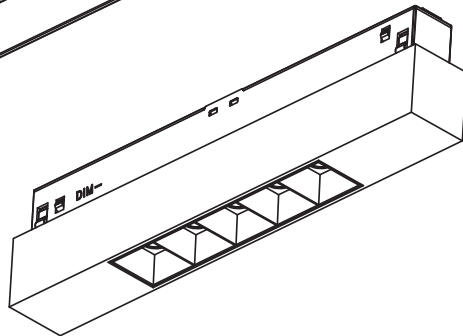
1



This product is only suitable with Unios FX 48V Track.
See unios.com/fxtrack for codes and instructions.

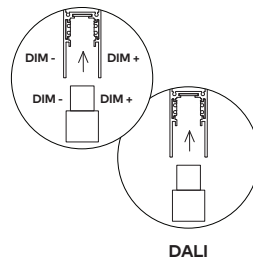
48V ± 2V

DIM+

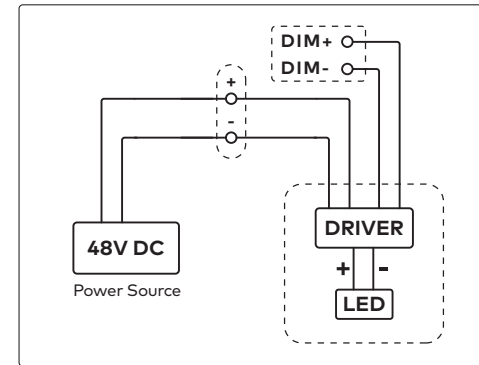


2

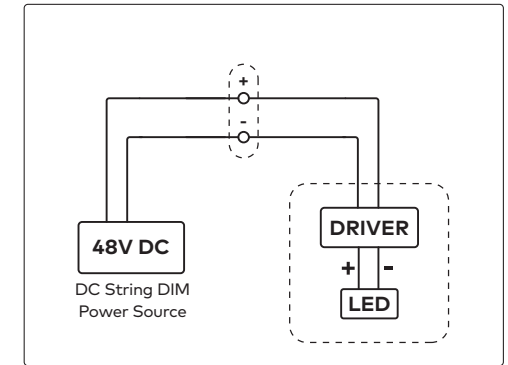
Standard



Wiring (1-10V)



DALI (DC String) Wiring



Dimming

Standard FX 48V Track luminaires are standard 1-10V dimmable. For DALI, FX 48V DALI Track luminaires is compatible with Tridonic 48V DC String power supply.

For full list of compatible drivers, see unios.com

Removal & Adjustment

Pull out luminaire to remove or reposition.
Do not slide off track.

