

Installation Instructions

Horizon Track Light



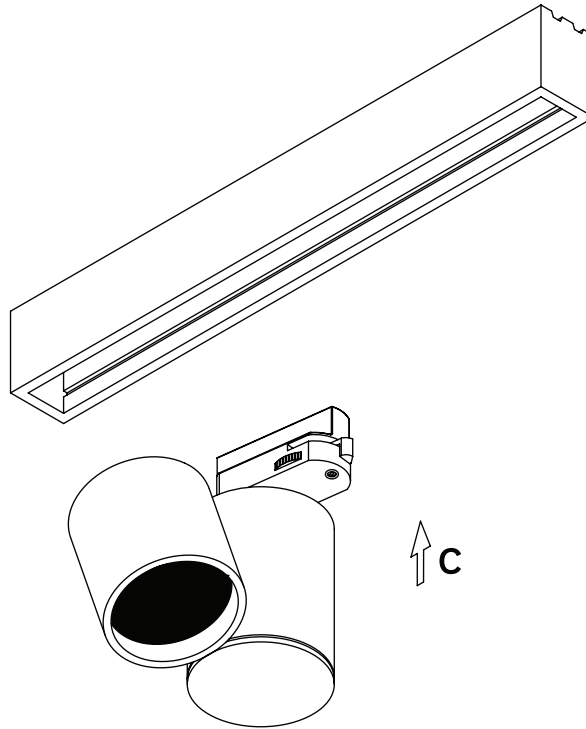
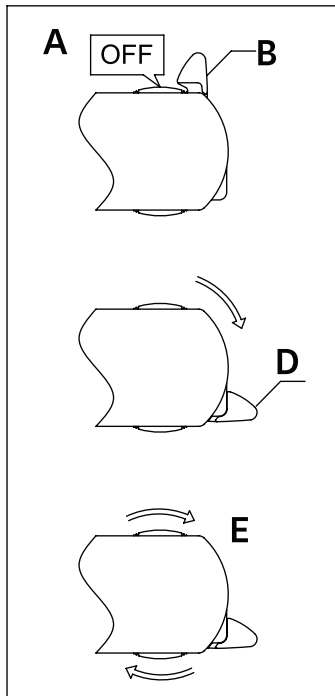
IP20



220-240V ~ 50/60Hz Class 1 

Power: 7 Watts

Material: Aluminium



Installation Instructions

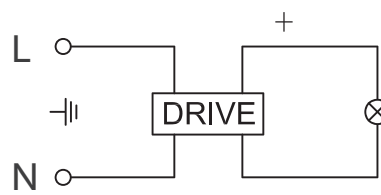
- 01** Must be installed by an Australian Licensed Electrician.
- 02** Before installing, make sure the power supply is switched off.
- 03** Follow the steps in the above figure for installation.
 - Rotate the switch to the **OFF** position.
 - Move the side switch to the **B** position (pictured).
 - Insert the adaptor to the track.
 - Move the side switch to the **D** position (pictured).
 - Rotate the switch to the **ON** position on the track.
- 04** Adjust head(s) to desired position(s). Turn on power supply to complete installation.

Cleaning Instructions

- 01** Before cleaning, ensure that the power supply is switched off.
- 02** Use only a soft cloth to clean the luminaire, dampened with a mild cleanser if needed for resistant dirt.
- 03** Warning: Do not use alcohol or other solvents.

Dimming

Compatible with Phase-Cut: Universal & Trailing-Edge dimmers. Recommended to use a dimmer optimised for LED technology for best performance.



CAUTION: MUST BE INSTALLED BY A LICENSED ELECTRICIAN

FOR WARRANTY INFORMATION VISIT WWW.PREMIUMLIGHTING.COM.AU/WARRANTY