



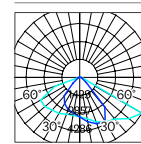
Iberia

STREET LIGHT SERIES

Class leading efficiency and performance make the Iberia Street Light Series ideal for roads, parks and commercial centres. Manufactured with excellent heat dissipation and an adjustable head, this street light will meet the demands of any commercial project.

- Available in 6 different lengths
- Designed with easy installation and low maintenance in mind
- Custom powder coated colours available upon request
- Luminaire poles available upon request

Photometrics



$\alpha = 80^\circ/120^\circ$



Versatility

Available in 6 different sizes and 12 different power options, this street light will fulfill the most stringent project requirements.

Energy Savings

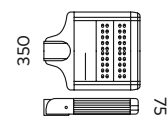
This street light uses the latest innovations in LED technology to minimise energy costs and maintenance costs.

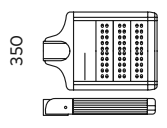
Safety & Visibility

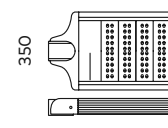
Where safety and visibility are of great importance, the Iberia Street Light will deliver superior performance.

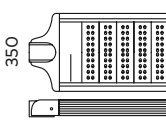
Adjustability

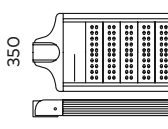
The Iberia Street Light Series can be adjusted up to 30°, giving this street light flexibility for any commercial application.

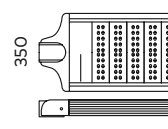
427mm Measurements (mm)

427
Absolute Luminous Flux
40W 4000lm 60W 6005lm 80W 8015lm
Beam (elliptical)
80°/120° (F)
Weight
5.45kg
Spigot Diameter
60mm

502mm Measurements (mm)

502
Absolute Luminous Flux
90W 9000lm 100W 10020lm 120W 12000lm
Beam (elliptical)
80°/120° (F)
Weight
6.11kg
Spigot Diameter
60mm

577mm Measurements (mm)

577
Absolute Luminous Flux
150W 14990lm 180W 18035lm
Beam (elliptical)
80°/120° (F)
Weight
6.77kg
Spigot Diameter
60mm

652mm Measurements (mm)

652
Absolute Luminous Flux
200W 20040lm
Beam (elliptical)
80°/120° (F)
Weight
7.43kg
Spigot Diameter
60mm

727mm Measurements (mm)

727
Absolute Luminous Flux
240W 24050lm
Beam (elliptical)
80°/120° (F)
Weight
8.09kg
Spigot Diameter
60mm

802mm Measurements (mm)

802
Absolute Luminous Flux
280W 28055lm 300W 30060lm
Beam (elliptical)
80°/120° (F)
Weight
8.75kg
Spigot Diameter
60mm

Finishes

- UV Textured Black
- UV Textured Grey

General Specifications

- Material** | Powder Coated Aluminium
- IP** | 65
- IK** | 08
- Warranty** | 5 Years

Driver

- Power Factor** | >0.90
- 240V Built-in Non-Dimmable Driver
- Dimming** | DALI Dim Optional

LED

- Colour Temp** | 2700K, 3000K, 4000K, 5000K, 6000K
- CRI** | 75+
- Efficacy** | Up to 100lm/w
- Colour Deviation** | SDCM≤3
- Lifetime** | 65,000h L70

Notes

Optional NEMA 7 Pin Socket available. Please email sales@unios.com for more information.

A	B	C	D	E	F
IBER	0040	TB	30	F	- Driver
Driver (DALI drivers can be configured via Product Toolbox) - Driver code not required - driver is integrated into luminaire					
Beam					
Flood					
CCT					
27	2700K	30	3000K	40	4000K
40	4000K	50	5000K	60	6000K
Finish					
TB	Textured Black	TG	Textured Grey		
Power					
0040	40W	0060	60W	0080	80W
0080	80W	0090	90W	0100	100W
0100	100W	0120	120W	0150	150W
0180	180W	0200	200W	0240	240W
0280	280W	0300	300W		
Product Family					
Iberia Street Light					
Example: IBER0040.TB30.F					
Refer to data sheet for available configurations.					
Visit Product Toolbox at unios.com/iberia					
to configure compatible Osram/Tridonic DALI drivers.					