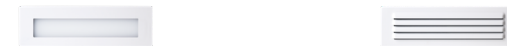



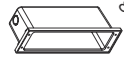
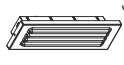
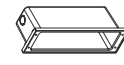
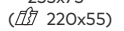
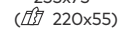



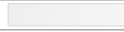

# Link

# Wall Light

Illumination through integration  
in wayfinding applications



Open Face		Grill Face	
Measurements (mm)		Measurements (mm)	
Luminaire	Wallbox	Luminaire	Wallbox
			
255x75 (  220x55)	250x70	255x75 (  220x55)	250x70
<b>Absolute Luminous Flux</b>		<b>Absolute Luminous Flux</b>	
3W/6W/9W (24V DC) 130lm/241lm/365lm (at 3000K)		3W/6W/9W (24V DC) 28lm/51lm/76lm (at 3000K)	
<b>Beam</b>		<b>Beam</b>	
105° (F)		105° (F)	

Finishes	
UV Textured Black	
UV Textured White	
UV Textured Grey	

General Specifications	
<b>Material</b>	Powder Coated Aluminium, PVC Wallbox
<b>IP</b>	65
<b>Impact Rating</b>	Open Face: IK08 Grill Face: IK10
<b>Wiring</b>	Wired in Parallel
<b>Warranty</b>	3 Years

LED	
<b>Colour Temp</b>	3000K, 4000K
<b>CRI (Ra/R9)</b>	80+ / >0
<b>Efficacy</b>	Open Face: Up to 39lm/W Grill Face: Up to 9lm/W
<b>Colour Deviation</b>	SDCM ≤ 3
<b>Lifetime</b>	>54,000h L70B10

**Driver**  
24V DC Remote Non-Dim Driver (CV2)  
and Integral 3-Step Fixed Dimming Selection Switch



Designed with the same size face as a standard brick (230x76mm) for easier installation

Engineered with a 3-step built-in dim function to accommodate for varying levels of light output

Can be installed with or without a wallbox

House 24V Driver within wallbox for 240V applications

### Beam Options



Flood (Grill Face)  
105° (F)



Flood (Open Face)  
105° (F)