

# LX R90 (Clip System)

LINEAR LIGHT 

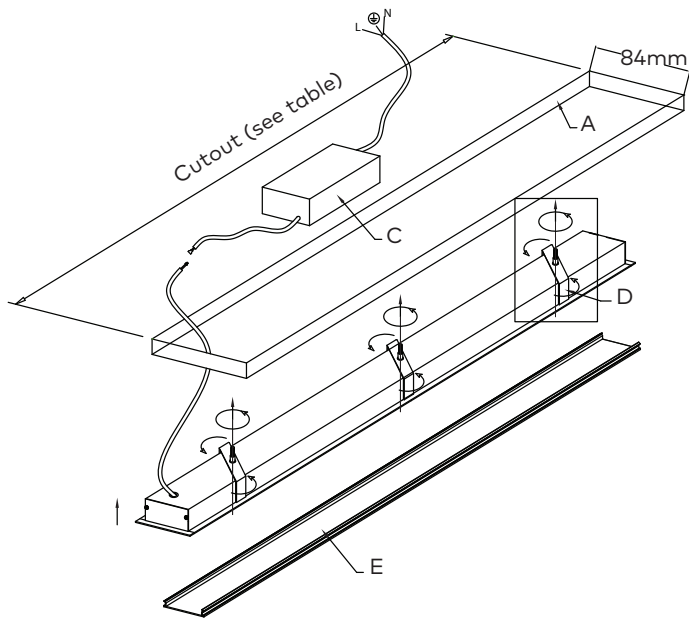
 <b>Class II</b> 220-240V ~ 50/60Hz	<b>Power</b> See table below	<b>IP Rating</b> 40	<b>Material</b> Aluminium	<b>Warranty</b> 5 Years	   
--	---------------------------------	------------------------	------------------------------	----------------------------	---

**ⓘ CAUTION** – Must Be Installed By A Licensed Electrician

Please read instruction manual on **both** sides carefully before installing luminaire.

- Please read instructions for installation of luminaire provided below. Safety of this luminaire and warranty will be voided unless followed.
- Installation and operation of this luminaire must be within accordance with national safety regulations. Unios™ does not warrant any liability when damage is caused by misuse or improper installation.
- This luminaire is void of warranty if any part has been modified. Please visit unios.com/warranty for more information.
- Over-voltage protection units should be installed to prevent electronic control gear from failing due to electrical spikes, e.g. from switching of inductive loads.

## Installation Instructions

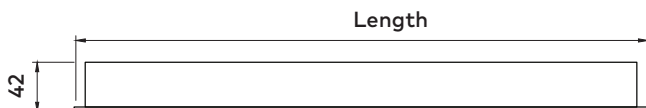


- 1 Must be installed by a licensed electrician.
- 2 Before installing, make sure the power supply is switched off.
- 3 Follow the steps in the figure shown for installation:
  - A. Cut a hole with the dimensions for the suitable length listed on the table below.
  - B. Remove diffuser by using supplied suction cup.
  - C. Connect electronic control gear to incoming mains power.   
Warning: Please ensure luminaire is connected to electronic control gear prior to connecting mains power. Not doing so will cause damage to the luminaire/electronic control gear.
  - D. Push luminaire into cut out and use internal screws (D) to tighten clips into place.
  - E. Reattach diffuser to luminaire.
  - F. Activate power at the source once completed.

*Note: After completing above steps, ensure the luminaire is firmly fixed to the mounting plate. The luminaire must be cleaned following these installation instructions. Termination of wiring and installation of the product shall be conducted such that the luminaire's stated IP rating is not affected.*

## Luminaire Length, Power & Cutout

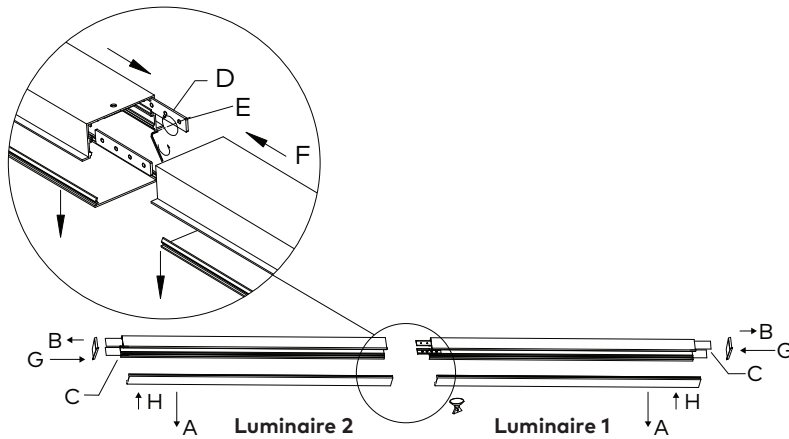
*Note: It is recommended to check length on site before installation.*



Length	Power	Cutout (LxW)
LX R90 (583mm)	15W	573x80
LX R90 (863mm)	22W	853x80
LX R90 (1143mm)	30W	1133x80
LX R90 (1423mm)	38W	1413x80
LX R90 (1703mm)	45W	1693x80
LX R90 (1983mm)	52W	1973x80
LX R90 (2263mm)	60W	2253x80



## Modular Connect System Installation



- 1** Must be installed by a licensed electrician.
- 2** Before installing, make sure the power supply is switched off.
- 3** Follow the steps in the figure shown for installation:
  - A. Remove diffuser by using supplied suction cup.
  - B. Remove End caps on both sides of LX profile to be connected.
  - C. Slide reflector panels away from joining area.
  - D. Insert Straight connector into one side of the LX profile.
  - E. Using Supplied allen key, tighten the 2 screws on each straight connector to secure it to the LX Profile.
  - F. Slide second LX Profile onto the other side of the straight connector and tighten the screws to secure the two profiles together.
  - G. Slide reflector panels back into place and reattach end caps to both ends.
  - H. Insert Diffuser back onto LX Profiles.

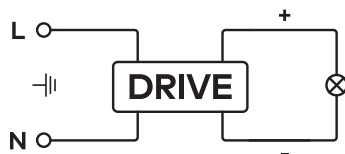
## Accessories (not included)



15W (Direct) 90° Connector  
(Incl. LEDs, power supply and  
2x Straight Connector Kits)

## Wiring

This luminaire must be installed in conjunction with electronic control gear (Remote).



## Dimming

Dimming is dependent on model of LX used. Please refer to control gear specifications for dimming capabilities. For more information please contact sales@unios.com



Class II

Luminaire in which protection against electric shock is provided by double insulation or reinforced insulation.



IP40

Protected against solid bodies no larger than 1mm.



AC

220-240V 50-60Hz AC Supply.



Indoor Use

This luminaire is suitable for indoor use only.

## Cleaning

Before cleaning, disconnect from mains supply and allow luminaire to cool.

Regular cleaning of the luminaire is **strongly recommended**. In harsher conditions, it is recommended that a strict cleaning schedule is in place to ensure no eroding chemicals are left on the surface for long periods. To clean luminaire, only use a damp, microfibre cloth. A dilute solution of a mild pH-neutral liquid detergent can be used for resistant dirt (Solvents must not be used). Please note surface of luminaire must be wiped down with a clean damp microfibre cloth to ensure no residue is left on the surface. Take care not to damage the surface of the luminaire. Do not use high pressure cleaners.

## Cleaning of Luminaire Lens

The luminaire lens or glass can be cleaned with glass specific cleaning agents that are ph-neutral, alcohol-free and non-abrasive. Always use a damp microfibre cloth and take care not to damage any seals surrounding the glass.

