

LX S78 / B78 (Direct)

LINEAR LIGHT 

 Class I 220-240V ~ 50/60Hz	Power 15-60W	IP Rating 40	Material Aluminium	Warranty 5 Years				
-----------------------------------------------------------------------------------------------------------------------	------------------------	------------------------	------------------------------	----------------------------	-------------------------------------------------------------------------------------	-------------------------------------------------------------------------------------	-------------------------------------------------------------------------------------	-------------------------------------------------------------------------------------

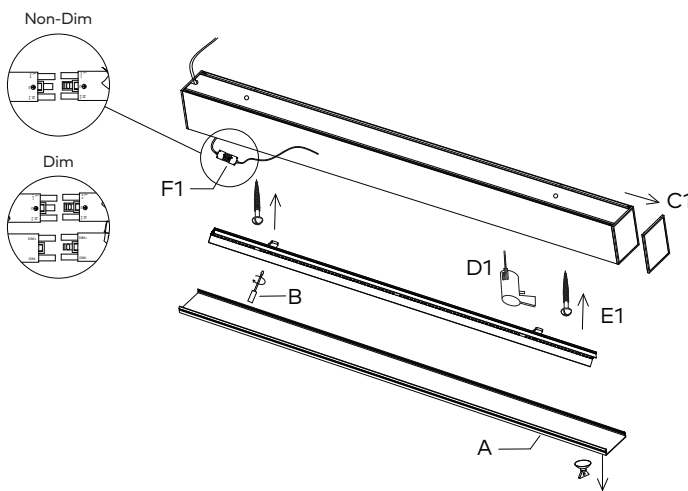
CAUTION – Must Be Installed By A Licensed Electrician

Please read instruction manual on **both** sides carefully before installing luminaire.

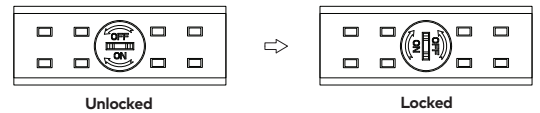
- Please read instructions for installation of luminaire provided below. Safety of this luminaire and warranty will be voided unless followed.
- Installation and operation of this luminaire must be within accordance with national safety regulations. Unios™ does not warrant any liability when damage is caused by misuse or improper installation.
- This luminaire is void of warranty if any part has been modified. Please visit unios.com/warranty for more information.
- Over-voltage protection units should be installed to prevent electronic control gear from failing due to electrical spikes, e.g. from switching of inductive loads.

Surface Mounted Installation

Fig 1.1



- 1 Must be installed by a licensed electrician.
- 2 Before installing, make sure the power supply is switched off.
- 3 Follow the steps in the figure shown for installation:
 - A. Remove diffuser by using supplied suction cup on edge of diffuser.
 - B. Remove LED tray by turning locking screws counter clockwise.



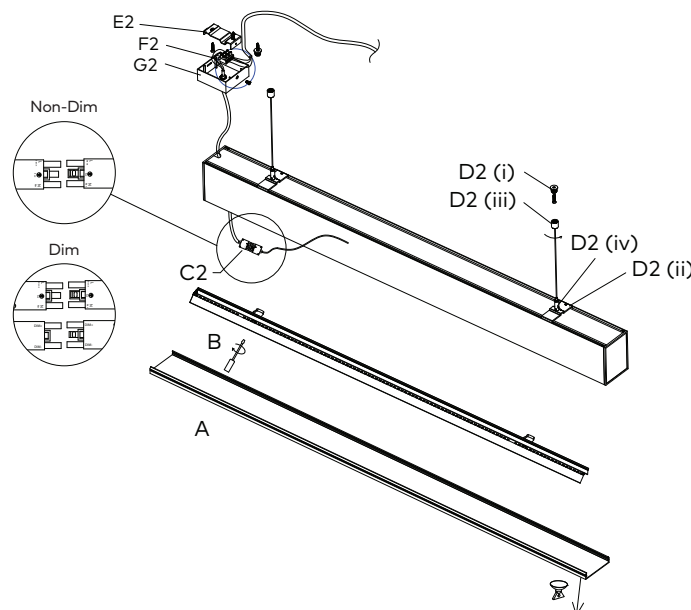
Lock tray by turning locking screw clockwise.
Unlock tray by turning locking screw anti-clockwise.

Surface Mounted Installation (see Fig. 1.1)

- C1. Remove end caps and slide suspension mounts out from the top of the luminaire (end caps can be reinstalled).
- D1. Drill mounting holes and pull wires through luminaire.
- E1. Fix the luminaire onto the ceiling with screws.
- F1. Remove supplied power cable and terminate mains power into quick connect plug (shown in Figure F).
Note: 3-pin connector is for mains power and 2-pin connector is for dimming.
- G1. Reinstall LED tray and diffuser to complete installation.

Suspended Installation

Fig 1.2

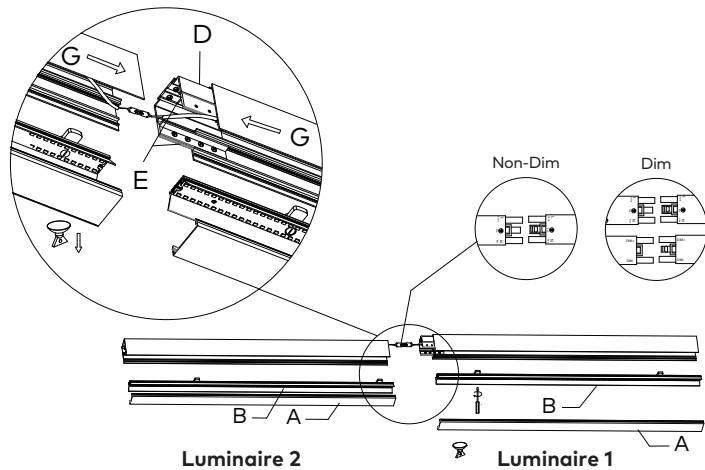


Suspended Installation (see Fig. 1.2)

- C2. Remove supplied power cable and terminate mains power into quick connect plug (shown in Figure C).
Note: 3-pin connector is for mains power and 2-pin connector is for dimming.
- D2. i. Secure suspension mounting plate to ceiling.
ii. Fix suspension cable to luminaire via mounting brackets.
iii. Fix suspension cable to ceiling mounting plate.
iv. Adjust suspension height to desired length.
- E2. Once luminaire is attached via suspension cable, canopy mounting bracket can be fixed to ceiling in desired location.
- F2. Cut cable to desired length and terminate into terminal block.
- G2. Attach canopy to mounting plate using provided screws and ensure it is secured tightly.
- H2. Reinstall LED tray and diffuser to complete installation.

Note: After completing above steps, ensure the luminaire is firmly fixed to the ceiling. The luminaire must be cleaned following these installation instructions. Termination of wiring and installation of the product shall be conducted such that the luminaire's stated IP rating is not affected.

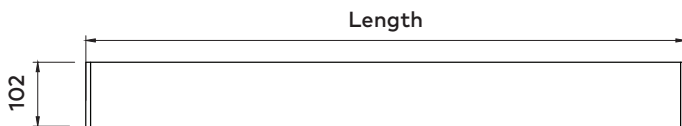
Modular Connect System Installation



- 1** Must be installed by a licensed electrician.
- 2** Before installing, make sure the power supply is switched off.
- 3** Follow the steps in the figure shown for installation:
 - A. Remove diffuser by using supplied suction cup.
 - B. Remove LED tray via the two locking screws.
 - C. Remove end caps.
 - D. Slide base plate halfway into inner grooves of first luminaire and fix in place.
 - E. Slide side plates halfway into inner grooves of first luminaire and fix in place.
 - F. Connect male and female quick connect plugs, ensuring ensuring the locking clip is secure.
 - G. Slide the second luminaire over base and side plates using the inner grooves and fix in place.
 - H. Reinstall LED trays and diffusers to complete installation.

Luminaire Length & Power

Note: It is recommended to check length on site before installation.



Length (incl. 2x 3mm end caps)	Nominal Power
LX S78/B78 (573mm)	15W
LX S78/B78 (853mm)	22W
LX S78/B78 (1133mm)	30W
LX S78/B78 (1413mm)	38W
LX S78/B78 (1693mm)	45W
LX S78/B78 (1973mm)	52W
LX S78/B78 (2253mm)	60W

Nominal power listed above applies for standard models only.

Accessories (not included)



Straight Connector Kit



7W (Indirect) / 15W (Direct) 90° Connector (Incl. LEDs, power supply and 2x Straight Connector Kits)



Suspended Wire Kit



Canopy Kit (3 Core Non-Dim)



Canopy Kit (5 Core DALI or 1-10V)

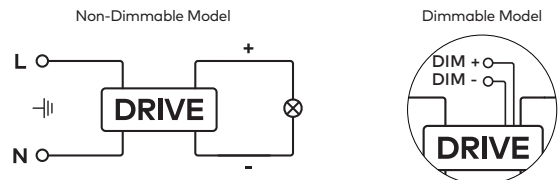
Cleaning Instructions

Before cleaning, disconnect from mains supply and allow luminaire to cool.

Regular cleaning of the luminaire is **strongly recommended**. In harsher conditions, it is recommended that a strict cleaning schedule is in place to ensure no eroding chemicals are left on the surface for long periods. To clean luminaire, only use a damp, microfibre cloth. A dilute solution of a mild pH-neutral liquid detergent can be used for resistant dirt (Solvents must not be used). Please note surface of luminaire must be wiped down with a clean damp microfibre cloth to ensure no residue is left on the surface. Take care not to damage the surface of the luminaire. Do not use high pressure cleaners.

Wiring

This luminaire must be installed in conjunction with electronic control gear (Built-in).



Dimming

Standard model is non-dimmable. If dimmable model has been supplied (1-10V or DALI), please refer to electronic control gear inside and specification to determine suitable control system.