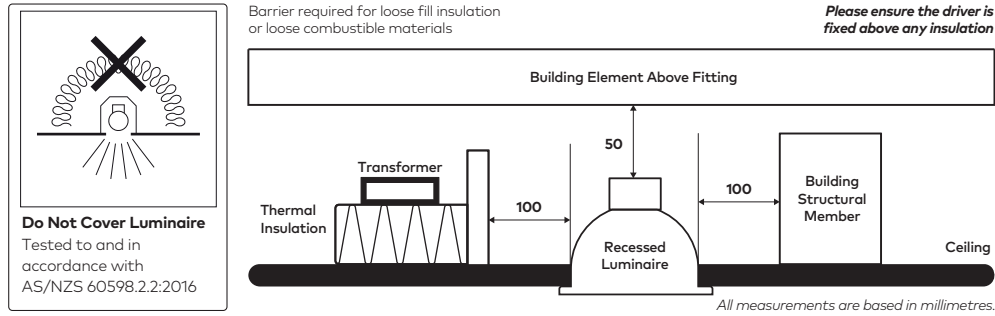


Minimum clearance for luminaire

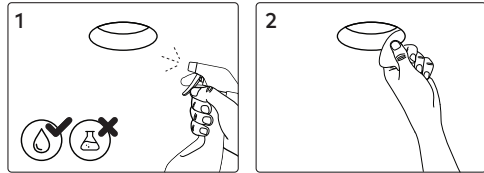
ⓘ **Risk of Fire** – Required clearance from structure members and building elements. Details below:



Do Not Cover Luminaire
Tested to and in accordance with AS/NZS 60598.2.2:2016

Cleaning

Warning: Before cleaning, disconnect from mains supply and allow luminaire to cool.



Disposal

Ensure correct disposal of this product (waste electrical and electronic equipment).



Corrosion Protection

It is important to note that care must be taken during installation or maintenance to ensure that the surface of the luminaire is not damaged. Any damage, which is exposed to moisture will result in corrosion occurring.

Please also note that any chemical applications on the luminaire or chemical contact via installation will cause corrosion of the surface of the luminaire and will void the warranty.

Ambient Conditions

Recommended to install in an ambient temperature <35°C.



Mirage

DOWNLIGHT

Base Codes	M84 MIRA0084	M110 MIRA0110	M160 MIRA0160	M218 MIRA0218	Power 8 - 52 Watts
	Class III Luminaire only	IP Rating 54	Material Aluminium	Install Person/s 1x	

ⓘ **CAUTION** – This product must be installed by a qualified installer
Please read instruction manual carefully before installing luminaire

Surge Protection
For comprehensive protection of a luminaire against electrical surges, surge protection shall be installed on the mains supply where required to protect luminaires and drivers from transient voltage damage.

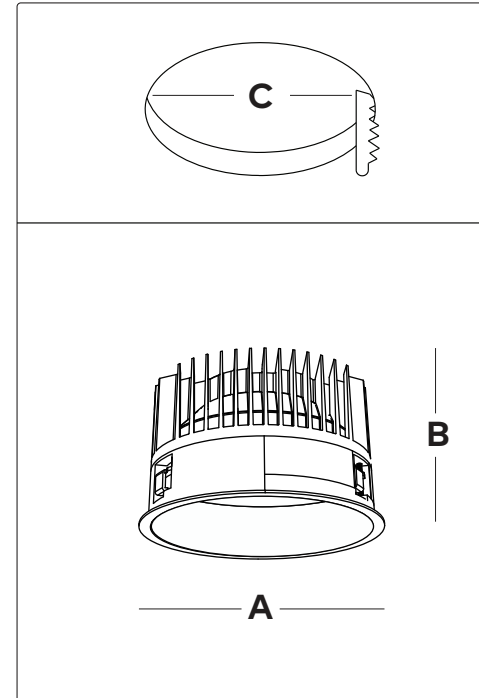
For warranty information visit unios.com/warranty

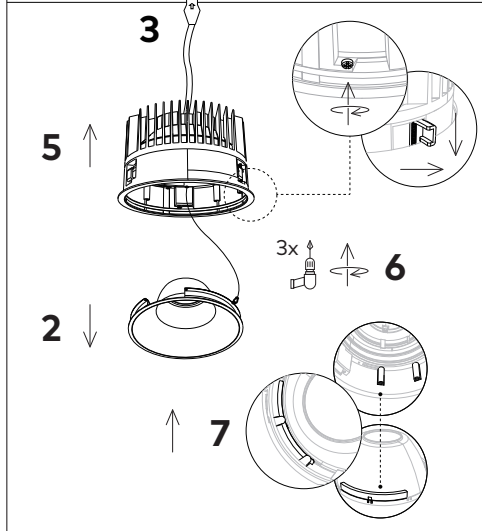
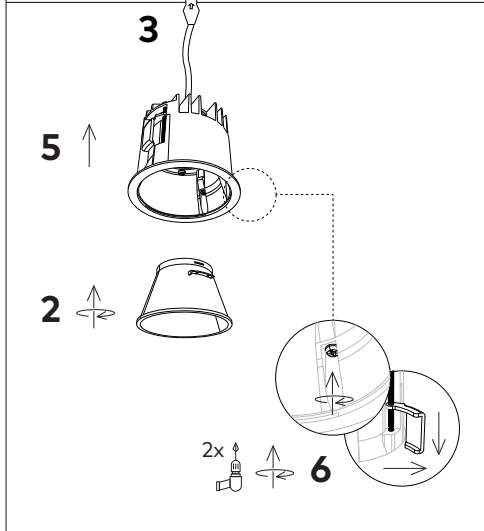
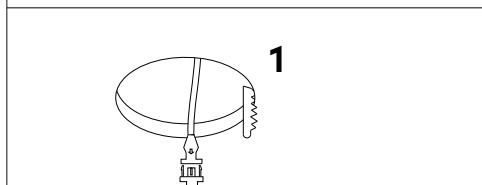
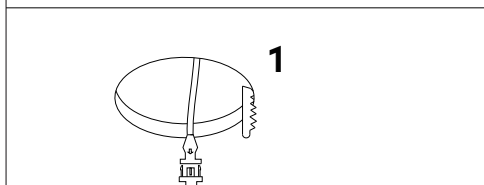
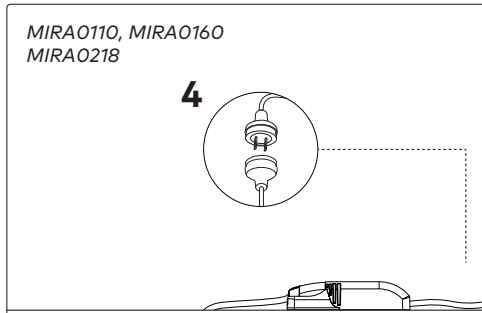
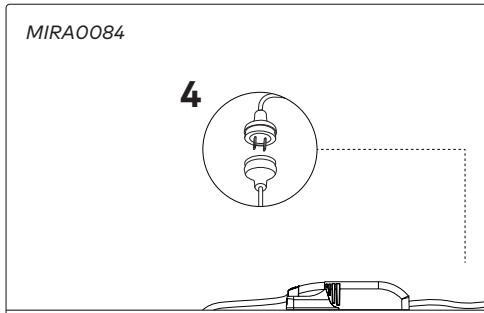
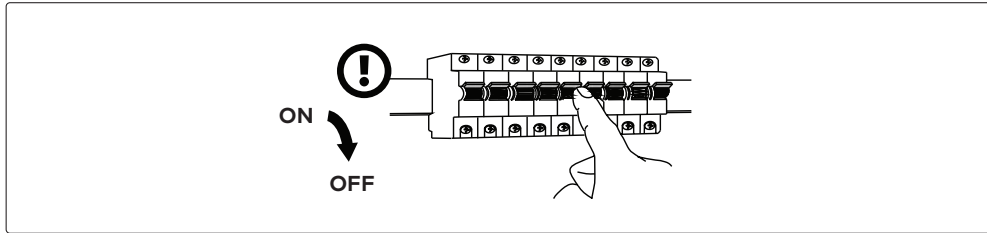
Please read these installation instructions carefully before installing this product. This product must be installed and maintained by a suitably qualified person/s in compliance with the latest applicable regulations and relevant legislation. Unios does not warrant any claim based on defects or damage caused by misuse, improper installation, improper operation and/or modifications carried out by the purchaser or third parties. This product shall not be used as a 'working light' during construction. This will result in the warranty of the product to be void. For warranty duration, please refer to the data sheet.

Sizing Variations

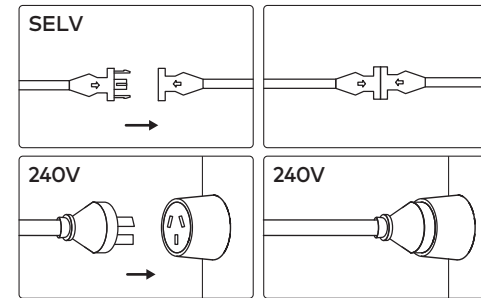
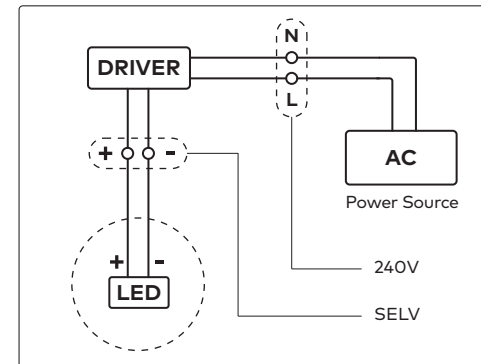
Product Code	A	B	C
MIRA0084	84	72	75
MIRA0110	110	79	100
MIRA0160	160	100	150
MIRA0218	218	132	200

All measurements are in millimetres.





Wiring



Luminaire Compatibility

Product Code	Output Power	Driving Current	Forward Voltage
MIRA0084	8W	250mA	29-34V
	11W	350mA	
MIRA0110	9W	250mA	32-38V
	13W	350mA	
MIRA0160	18W	500mA	32-38V
	25W	700mA	
MIRA0218	25W	700mA	32-38V
	36W	1000mA	
	52W	1400mA	

Dimming

This luminaire can be dimmed. Unios® recommends a phase-cut dimmer or DALI solution optimised for LED technology.

For full list of compatible drivers, see unios.com