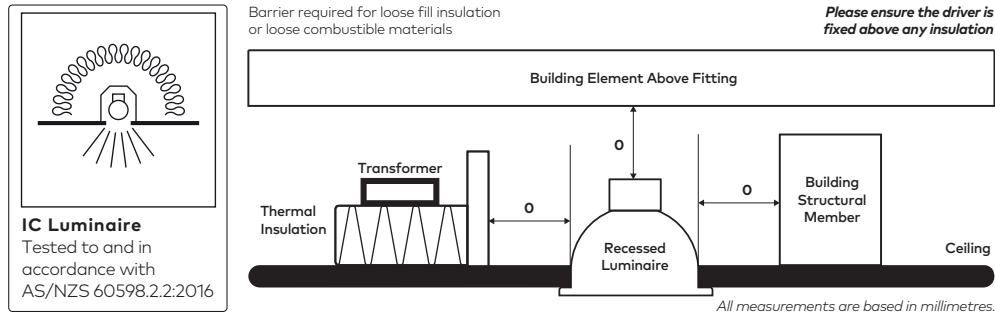


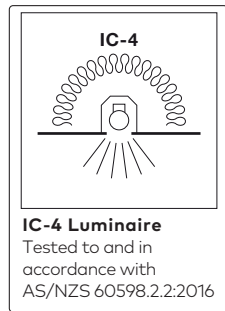
**Minimum clearance for luminaire**

ⓘ **Risk of Fire** – Required clearance from structure members and building elements. Details below:



**IC Luminaire**  
Tested to and in accordance with AS/NZS 60598.2.2:2016

**IP65 Model**



**IC-4 Luminaire**  
Tested to and in accordance with AS/NZS 60598.2.2:2016

<b>Product Code</b>
NODI0502
NODI1002

**Corrosion Protection**

It is important to note that care must be taken during installation or maintenance to ensure that the surface of the luminaire is not damaged. Any damage, which is exposed to moisture will result in corrosion occurring.

Please also note that any chemical applications on the luminaire or chemical contact via installation will cause corrosion of the surface of the luminaire and will void the warranty.

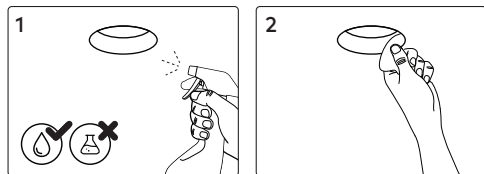
**Ambient Conditions**

Recommended to install in an ambient temperature <35°C.



**Cleaning**

Warning: Before cleaning, disconnect from mains supply and allow luminaire to cool.



**Disposal**

Ensure correct disposal of this product (waste electrical and electronic equipment)



**Node**

DARKLIGHT SERIES

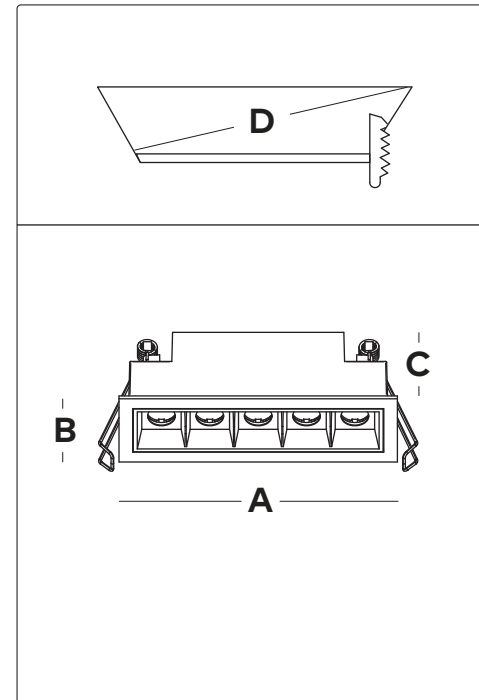
<b>Base Codes</b>	<b>Recessed</b> NODRXXXX	<b>Adjustable</b> NODAXXXX	<b>IP65</b> NODIXXXX	<b>Power</b> 2 - 30 Watts
	<b>Class III</b> Luminaire only	<b>IP Rating</b> 20, 65	<b>Material</b> Aluminium	<b>Install Person/s</b> 1x

ⓘ **CAUTION** – This product must be installed by a qualified installer  
Please read instruction manual carefully before installing luminaire

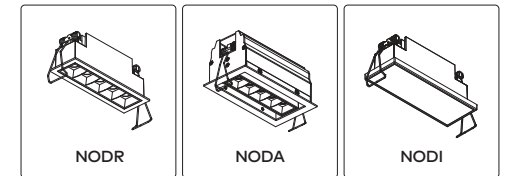
**Surge Protection**  
For comprehensive protection of a luminaire against electrical surges, surge protection shall be installed on the mains supply where required to protect luminaires and drivers from transient voltage damage.

**For warranty information visit unios.com/warranty**

Please read these installation instructions carefully before installing this luminaire. This product must be installed and maintained by a suitably qualified person/s in compliance with the latest applicable regulations and relevant legislation. Unios does not warrant any claim based on defects or damage caused by misuse, improper installation, improper operation and/or modifications carried out by the purchaser or third parties. This luminaire will not be used as a 'Working light' during construction. This will result in the warranty of the luminaire to be void. For warranty duration, please refer to the data sheet.



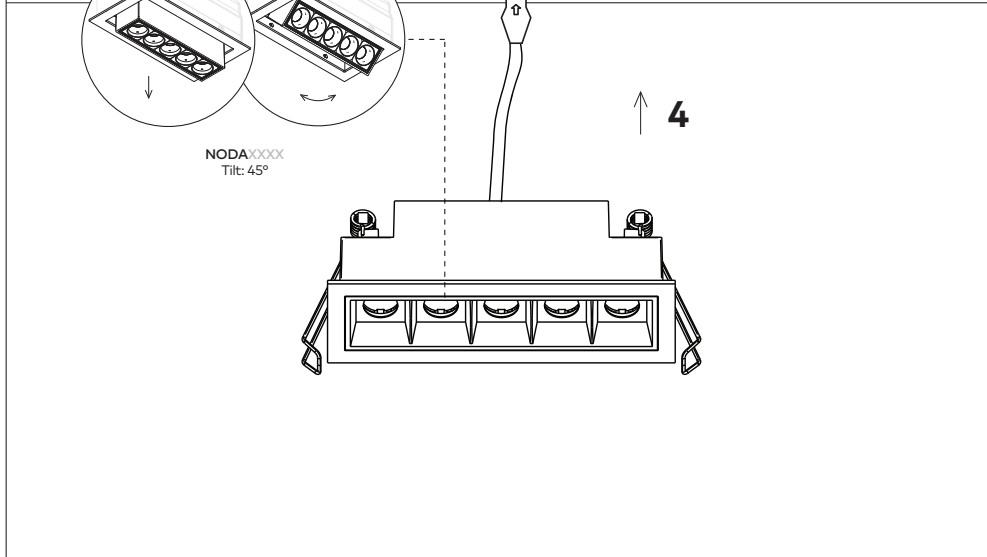
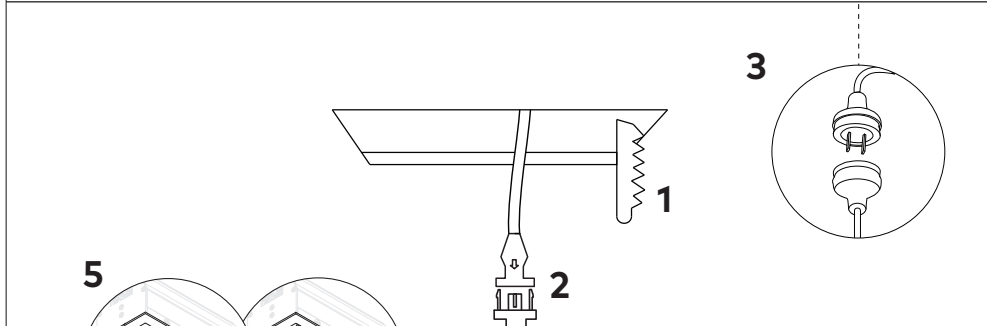
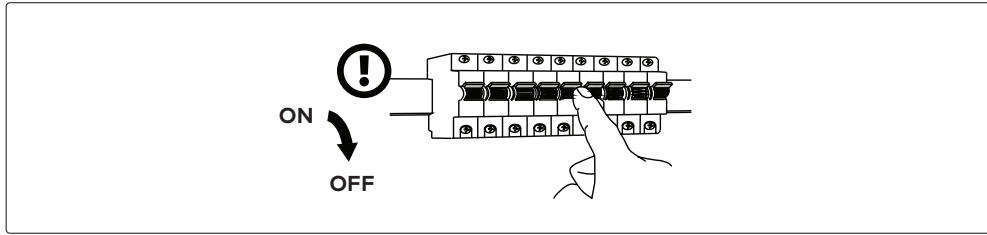
**Product Variations**



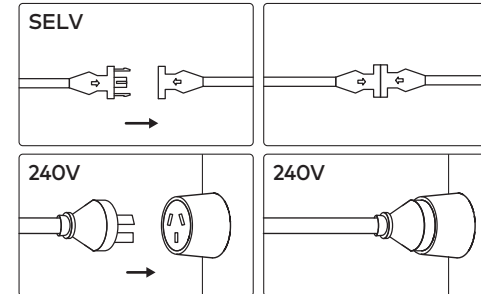
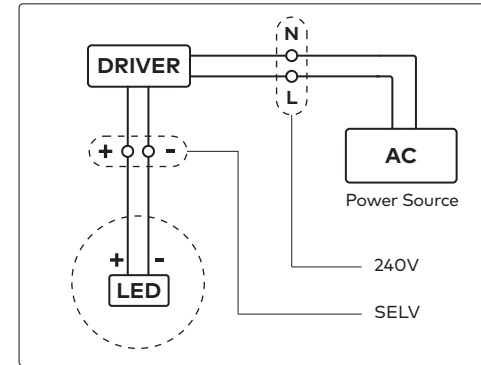
Product Code	A	B	C	D*
NODR0102	44	44	42	36x36x75
NODR0502	137	44	52	130x36x75
NODR1002	257	44	52	250x36x75
NODR1502	376	44	52	369x36x75
NODA0502	155	83	75	149x76x110
NODA1002	275	83	75	269x76x110
NODI0502	143	52	58	130x37x75
NODI1002	263	52	58	250x37x75

All measurements are in millimetres.  
\*Length x Width x Height format.





### Wiring



### Dimming

This luminaire can be dimmed. Unios® recommends a phase-cut dimmer or DALI solution optimised for LED technology.

For full list of compatible drivers, see unios.com

### Luminaire Compatibility

Product Code	Output Power	Driving Current	Forward Voltage
NODR0102	2W	700mA	2.8-3.2V
NODR0502	10W	700mA	14.7-15.3V
NODA0502			
NODI0502			
NODR1002	20W	700mA	29.7-30.3V
NODA1002			
NODI1002			
NODR1502	30W	700mA	44.7-45.3V