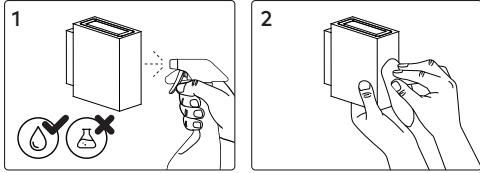


Cleaning

Warning: Before cleaning, disconnect from mains supply and allow luminaire to cool.



Disposal

Ensure correct disposal of this product (waste electrical and electronic equipment).



Corrosion Protection

It is important to note that care must be taken during installation or maintenance to ensure that the surface of the luminaire is not damaged. Any damage, which is exposed to moisture will result in corrosion occurring.

Please also note that any chemical applications on the luminaire or chemical contact via installation will cause corrosion of the surface of the luminaire and will void the warranty.

Ambient Conditions

Recommended to install in an ambient temperature <35°C.



Onyx

SPOTLIGHT

Base Codes	One ONSP0007	Two ONSP0014	Three ONSP0021	Power 7 14 21 Watts
	Class I 220–240V – 50/60Hz	IP Rating 65	Material Aluminium	Install Person/s 1x



CAUTION – This product must be installed by a qualified installer
Please read instruction manual carefully before installing luminaire

Surge Protection
For comprehensive protection of a luminaire against electrical surges, surge protection shall be installed on the mains supply where required to protect luminaires and drivers from transient voltage damage.

For warranty information visit unios.com/warranty

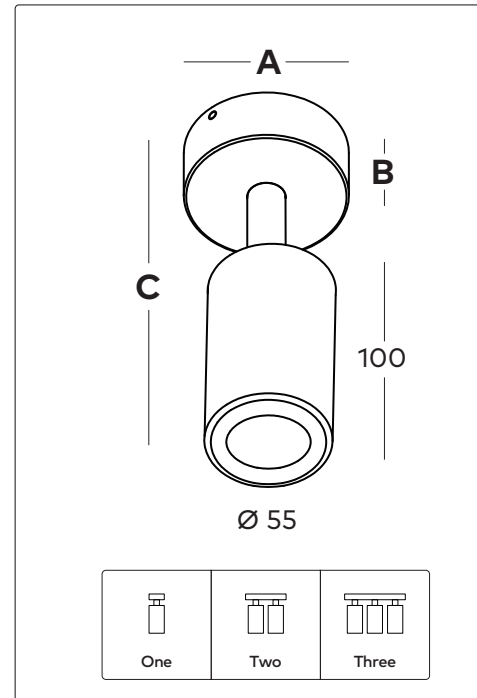
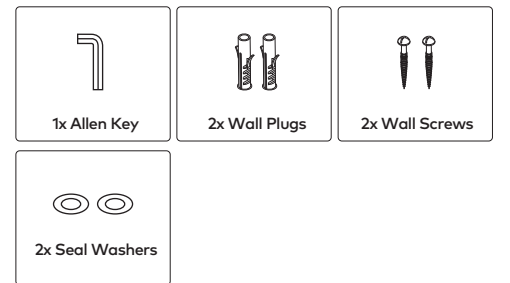
Please read these installation instructions carefully before installing this product. This product must be installed and maintained by a suitably qualified person/s in compliance with the latest applicable regulations and relevant legislation. Unios does not warrant any claim based on defects or damage caused by misuse, improper installation, improper operation and/or modifications carried out by the purchaser or third parties. This product shall not be used as a 'working light' during construction. This will result in the warranty of the product to be void. For warranty duration, please refer to the data sheet.

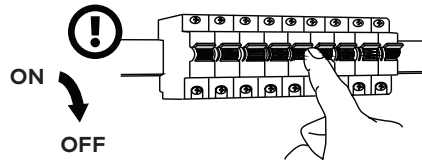
Sizing Variations

Product Code	A	B	C
ONSP0007	Ø 69	27	143
ONSP0014	Ø 120	31	147
ONSP0021	352 x 54	31	145

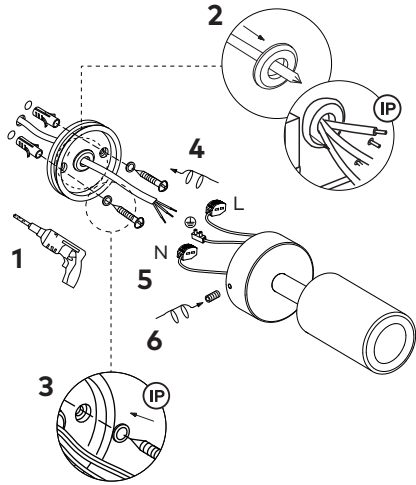
All measurements are in millimetres.

Parts

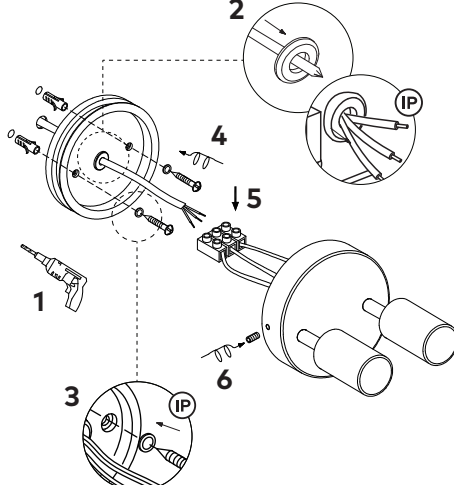




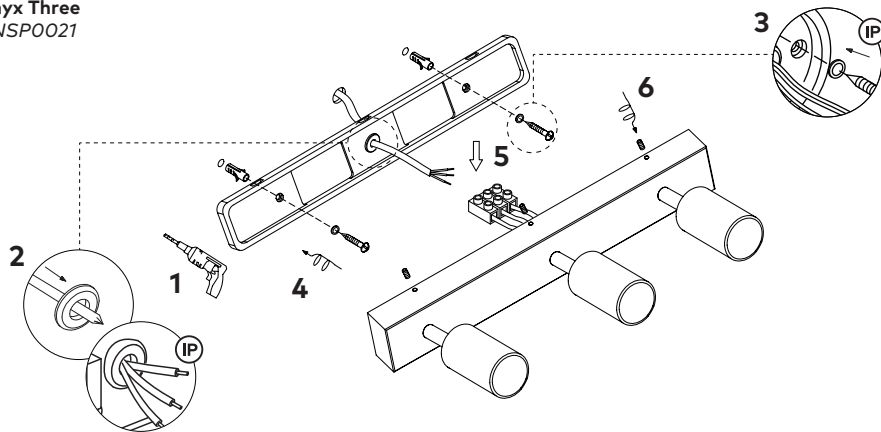
Onyx One
ONSP0007



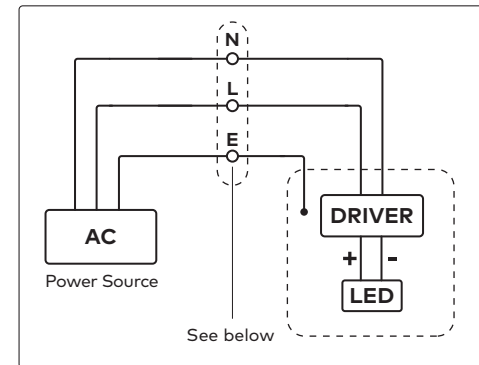
Onyx Two
ONSP0014



Onyx Three
ONSP0021

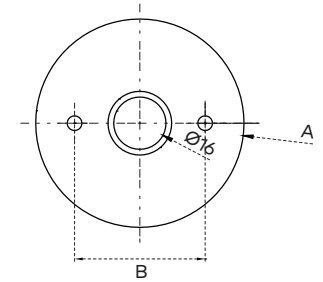


Wiring



Mounting Plate

ONSP0007
ONSP0014



Driver Compatibility

Product Code	Output Power	Driving Current	Forward Voltage
ONSP0007	7W	700mA	8-10V
ONSP0014	14W	600mA	17-19V
ONSP0021	21W	600mA	26-28V

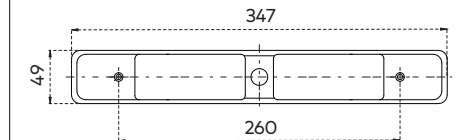
Product Code	A	B
ONSP0007	Ø 64	40
ONSP0014	Ø 114	90

Dimming

This luminaire can be dimmed. Unios® recommends a phase-cut dimmer optimised for LED technology. For non-standard configurations refer to driver data sheet.

For full list of compatible drivers, see unios.com

ONSP0021



All measurements are in millimetres.

