

Quantum (Adjustable)

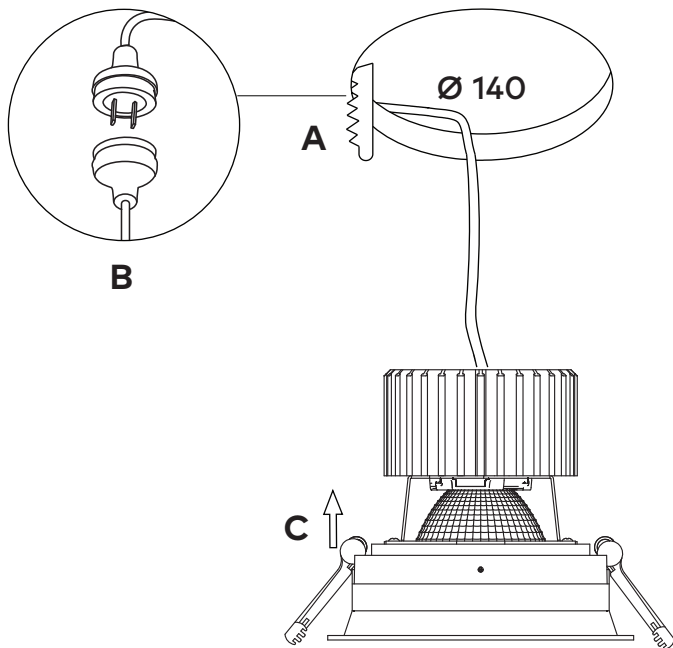
RECESSED DOWNLIGHT 

 Class II 220-240V ~ 50/60Hz	Power 28 40 Watts	IP Rating 20	Material Aluminium	Warranty 5 Years				
--	-------------------------------	------------------------	------------------------------	----------------------------	---	---	---	---

⚠ CAUTION – Must Be Installed By A Licensed Electrician

Please read instruction manual on **both** sides carefully before installing luminaire.

- Please read instructions for installation of luminaire provided below. Safety of this luminaire and warranty will be voided unless followed.
- Installation and operation of this luminaire must be within accordance with national safety regulations. Unios™ does not warrant any liability when damage is caused by misuse or improper installation.
- This luminaire is void of warranty if any part has been modified. Please visit unios.com/warranty for more information.
- Over-voltage protection units should be installed to prevent electronic control gear from failing due to electrical spikes, e.g. from switching of inductive loads.



Installation Instructions

- 1 Must be installed by a licensed electrician.
- 2 Before installing, make sure the power supply is switched off.
- 3 Follow the steps in the figure shown for installation:
 - A. Cut a diameter of 140mm.
 - B. Connect downlight plug to female power socket (not included).

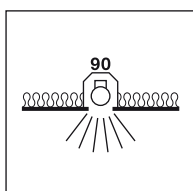
Warning: Please ensure luminaire is connected to electronic control gear prior to connecting mains power. Not doing so will cause damage to the luminaire/electronic control gear.

 - C. Hold clips in place and push luminaire into cut-out.
 - D. Activate power at the source once completed.

Minimum clearance for luminaire - In accordance with AS/NZS 60598.2.2:2016

⚠ Risk of Fire – Required clearance from structure members and building elements. Details below:

Description	Dimensions	Barrier required for loose fill insulation or loose combustible materials	Please ensure electronic control gear is fixed above any insulation
A Height clearance to building element (HCB)	50mm		
B Side clearance to building element (SCB)	0mm		
C Side clearance to Insulation (SCI)	0mm		
D Side clearance to Control Gear (SCG)	50mm		



CA90 RATED

This downlight is CA 90 rated. Insulation can abut but cannot cover the luminaire. Where possible we recommend to leave a gap surrounding the luminaire.

FOR WARRANTY INFORMATION VISIT WWW.UNIOS.COM/WARRANTY

Please read these installation instructions carefully before installing this luminaire. The luminaire is designed for installation in accordance with relevant Australian Standards (AS/NSZ 3000). Installation of this luminaire must comply with local and national regulations. If luminaire is not installed according to the instructions, the warranty for the luminaire may be void.

ENQUIRIES

+61 8 9248 1888
sales@unios.com

Power Options

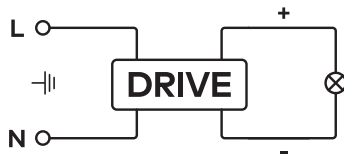
Please refer to the table below for suitable control gear pairings for relative outputs. For more information, please visit unios.com.

Output Power	Driving Current	Forward Voltage
28W	700mA	30-40V
40W	900mA	30-40V

Wiring

This luminaire must be installed in conjunction with remote electronic control gear.

Warning: Please ensure luminaire is connected to electronic control gear prior to connecting mains power. Not doing so will cause damage to the luminaire/electronic control gear.



Dimming

This luminaire can be dimmed. Unios™ recommends a phase-cut dimmer optimised for LED technology.

Cleaning

Before cleaning, disconnect from mains supply and allow luminaire to cool.

Regular cleaning of the luminaire is **strongly recommended**. In harsher conditions, it is recommended that a strict cleaning schedule is in place to ensure no eroding chemicals are left on the surface for long periods. To clean luminaire, only use a damp, microfibre cloth. A dilute solution of a mild pH-neutral liquid detergent can be used for resistant dirt (Solvents must not be used). Please note surface of luminaire must be wiped down with a clean damp microfibre cloth to ensure no residue is left on the surface. Take care not to damage the surface of the luminaire. Do not use high pressure cleaners.

Cleaning of Luminaire Lens

The luminaire lens or glass can be cleaned with glass specific cleaning agents that are ph-neutral, alcohol-free and non-abrasive. Always use a damp microfibre cloth and take care not to damage any seals surrounding the glass.

Class II

Luminaire in which protection against electric shock is provided by double insulation or reinforced insulation.

IP20

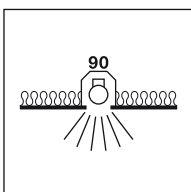
Protected against solid bodies no larger than 12.5mm and no protection against moisture or liquids.

AC

220-240V 50-60Hz AC Supply.

Indoor Use

This luminaire is suitable for indoor use only.



CA90 RATED

This downlight is CA 90 rated. Insulation can abut but cannot cover the luminaire. Where possible we recommend to leave a gap surrounding the luminaire.

FOR WARRANTY INFORMATION VISIT WWW.UNIOS.COM/WARRANTY

Please read these installation instructions carefully before installing this luminaire. The luminaire is designed for installation in accordance with relevant Australian Standards (AS/NSZ 3000). Installation of this luminaire must comply with local and national regulations. If luminaire is not installed according to the instructions, the warranty for the luminaire may be void.

ENQUIRIES

+61 8 9248 1888
sales@unios.com