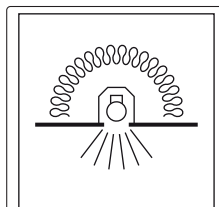


Minimum clearance (for recessed models only)

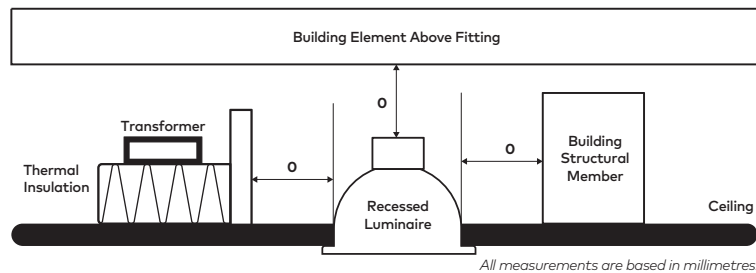
Ⓛ **Risk of Fire** – Required clearance from structure members and building elements. Details below:



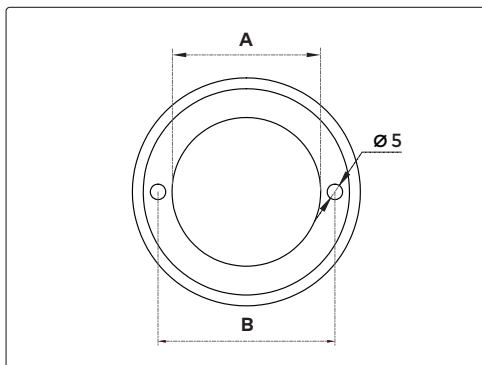
IC Luminaire
Tested to and in accordance with AS/NZS 60598.2.2:2016

Barrier required for loose fill insulation or loose combustible materials

Please ensure the driver is fixed above any insulation



Mounting Plate



Product Code	A	B
SCSM0002	37	44.5
SCSM0015	48	57
SCSRXX02	15	30
SCSRXX15	48	57

All measurements are in millimetres.

Ambient Conditions

Recommended to install in an ambient temperature <35°C.



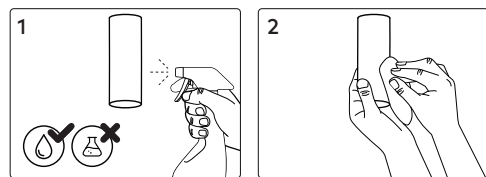
Corrosion Protection

It is important to note that care must be taken during installation or maintenance to ensure that the surface of the luminaire is not damaged. Any damage, which is exposed to moisture will result in corrosion occurring.

Please also note that any chemical applications on the luminaire or chemical contact via installation will cause corrosion of the surface of the luminaire and will void the warranty.

Cleaning

Warning: Before cleaning, disconnect from mains supply and allow luminaire to cool.



Disposal

Ensure correct disposal of this product (waste electrical and electronic equipment)



Scope

SERIES

Base Codes	Surface Mounted SCSMXXXX	Recessed SCREXXXX	3C Track SCTR3XXX	Suspension Rod SCSRXXXX	Power 2 15 Watts
		Class I, Class II 220-240V – 50/60Hz	IP Rating 20	Material Aluminium	Install Person/s 1x

CAUTION – This product must be installed by a qualified installer
Please read instruction manual carefully before installing luminaire

Surge Protection
For comprehensive protection of a luminaire against electrical surges, surge protection shall be installed on the mains supply where required to protect luminaires and drivers from transient voltage damage.

For warranty information visit unios.com/warranty

Please read these installation instructions carefully before installing this luminaire. This product must be installed and maintained by a suitably qualified person/s in compliance with the latest applicable regulations and relevant legislation.

Unios does not warrant any claim based on defects or damage caused by misuse, improper installation, improper operation and/or modifications carried out by the purchaser or third parties. This luminaire will not be used as a 'working light' during construction. This will result in the warranty of the luminaire to be void. For warranty duration, please refer to the data sheet. a

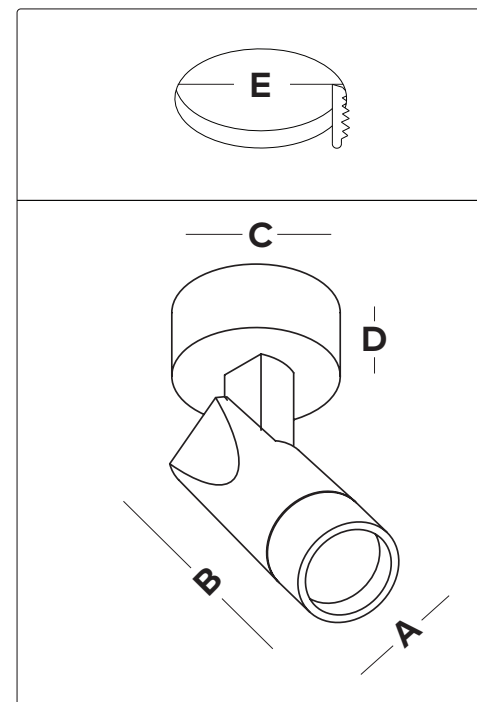
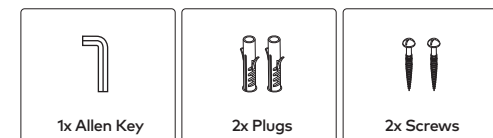
Sizing Variations

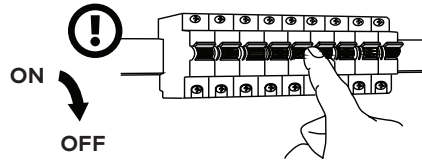
Product Code	A	B	C	D	E
SCSM0002	40	130	Ø 65	30	-
SCSM0015	60	170	Ø 80	47	-
SCRE0002 ¹	40	130	-	-	Ø 54
SCRE0015 ¹	60	170	-	-	Ø 76
SCTR3002	40	130	-	-	-
SCTR3015	60	170	-	-	-
SCSR0302/0602	40	130	Ø 55	53	-
SCSR0315/0615	60	170	Ø 80	47	-

*All measurements are in millimetres.
¹SCREXXXX models are Class II.*

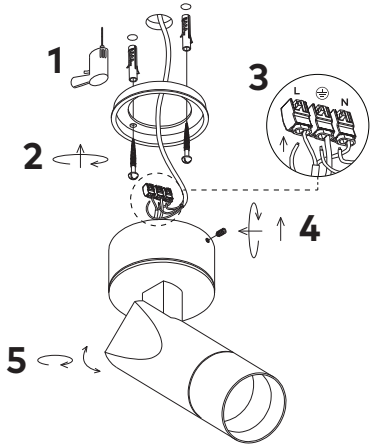
Parts

SCSMXXXX, SCSRXXXX

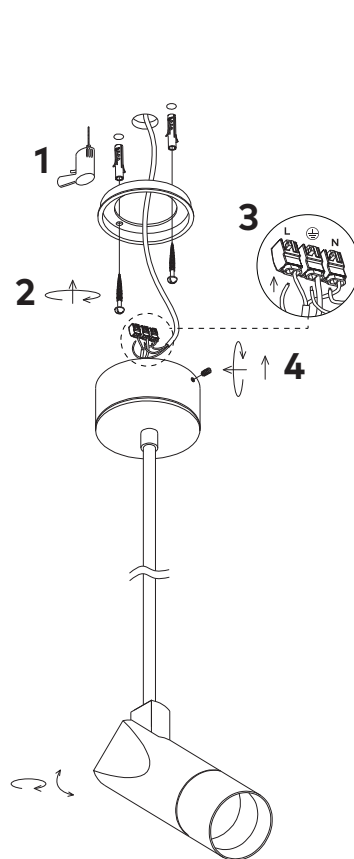




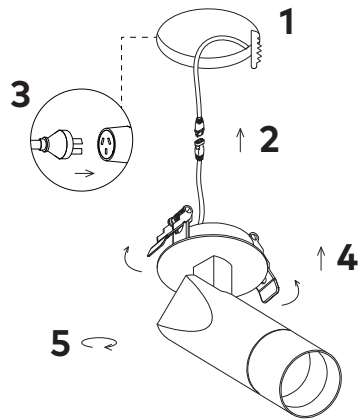
Surface Mounted
SCSMXXXX



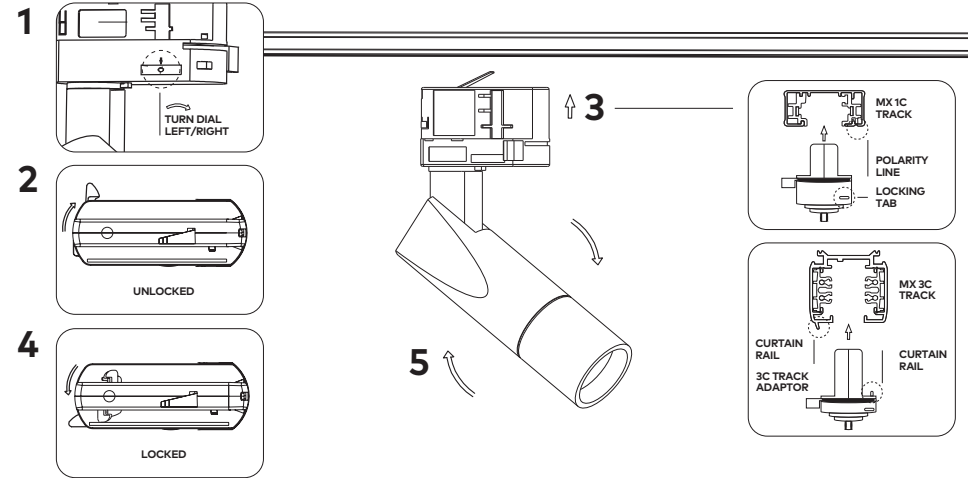
Suspension Rod
SCSRXXXX



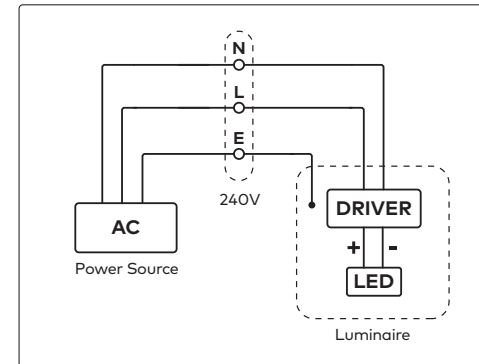
Recessed
SCREXXXX



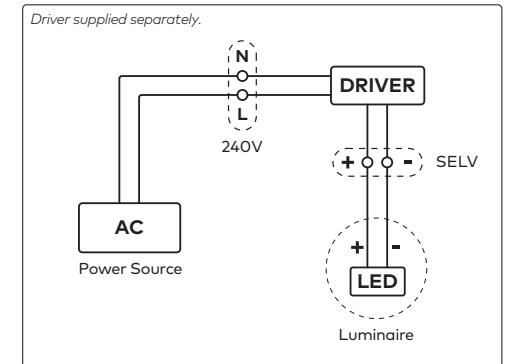
Track
SCTRXXXX



Wiring (Built-in) SCSMXXXX, SCSRXXXX, SCTRXXXX



Wiring (Remote) SCREXXXX



Dimming

Standard 2W luminaire is non-dimmable. Standard 15W luminaire can be dimmed. Unios® recommends a phase-cut dimmer optimised for LED technology. Pair with a suitable DALI driver for a DALI dimmable solution.

For full list of compatible drivers, see unios.com

