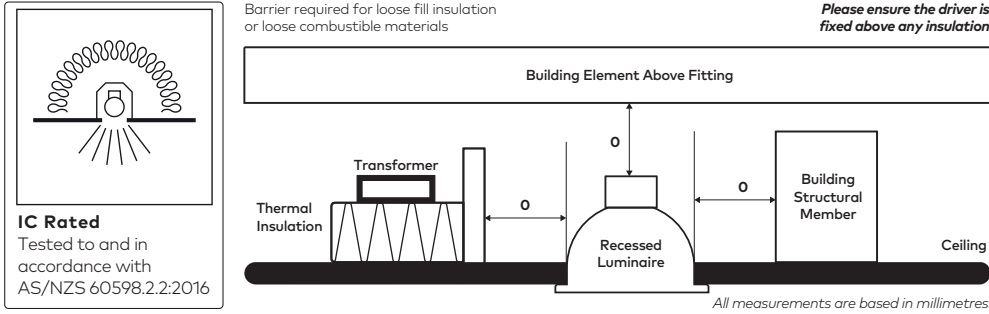


**Minimum clearance for luminaire**

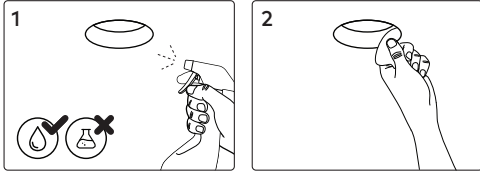
ⓘ **Risk of Fire** – Required clearance from structure members and building elements. Details below:



**IC Rated**  
Tested to and in accordance with AS/NZS 60598.2.2:2016

**Cleaning**

Warning: Before cleaning, disconnect from mains supply and allow luminaire to cool.



**Disposal**

Ensure correct disposal of this product (waste electrical and electronic equipment)



**Corrosion Protection**

It is important to note that care must be taken during installation or maintenance to ensure that the surface of the luminaire is not damaged. Any damage, which is exposed to moisture will result in corrosion occurring.

Please also note that any chemical applications on the luminaire or chemical contact via installation will cause corrosion of the surface of the luminaire and will void the warranty.

**Ambient Conditions**

Recommended to install in an ambient temperature <35°C.



**Shift**

DOWNLIGHT SERIES

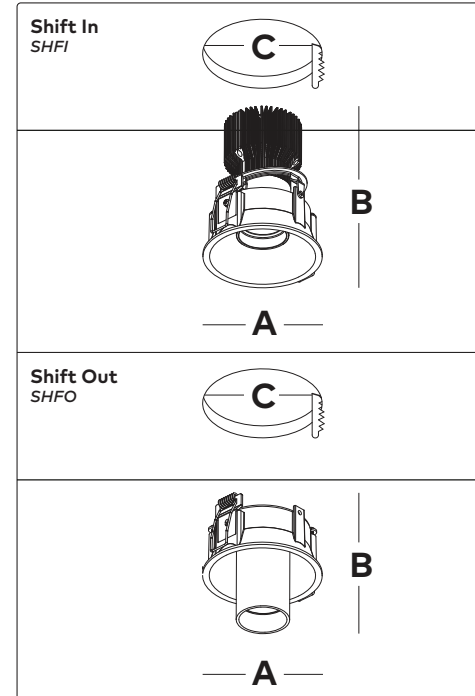
<b>Base Codes</b>	<b>Shift In</b> SHFI0091	<b>Shift Out</b> SHFO0091	<b>Power</b> 8   10 Watts
<b>Class III</b> Luminaire only	<b>IP Rating</b> 20	<b>Material</b> Aluminium	<b>Install Person/s</b> 1x

ⓘ **CAUTION** – This product must be installed by a qualified installer  
Please read instruction manual carefully before installing luminaire

**Surge Protection**  
For comprehensive protection of a luminaire against electrical surges, surge protection shall be installed on the mains supply where required to protect luminaires and drivers from transient voltage damage.

**For warranty information visit unios.com/warranty**

Please read these installation instructions carefully before installing this product. This product must be installed and maintained by a suitably qualified person/s in compliance with the latest applicable regulations and relevant legislation. Unios does not warrant any claim based on defects or damage caused by misuse, improper installation, improper operation and/or modifications carried out by the purchaser or third parties. This product shall not be used as a 'working light' during construction. This will result in the warranty of the product to be void. For warranty duration, please refer to the data sheet.

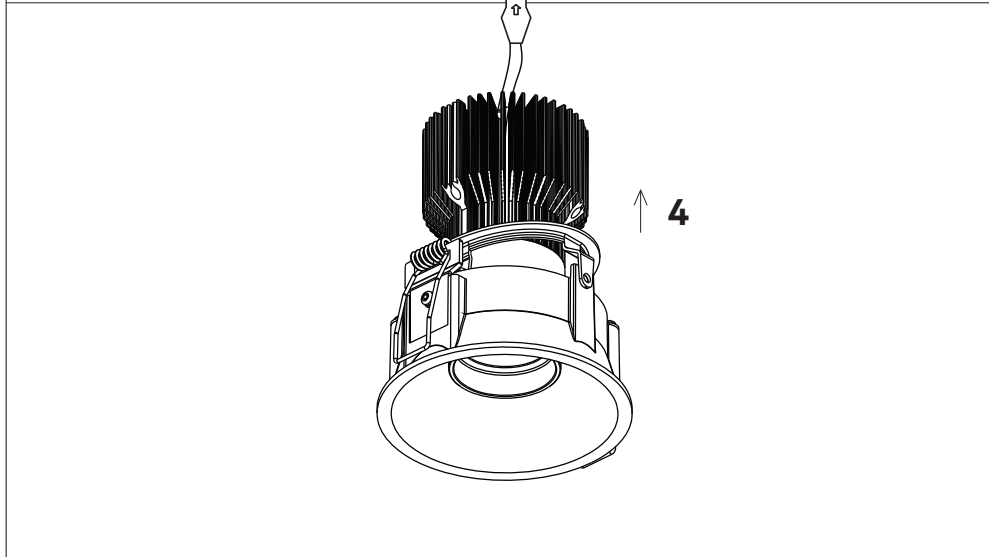
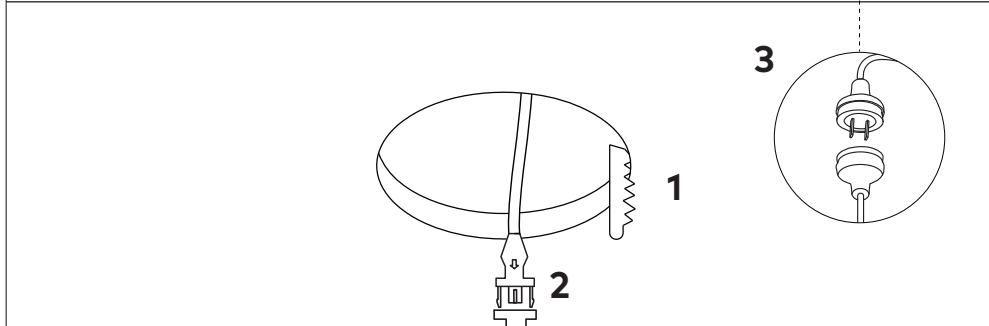
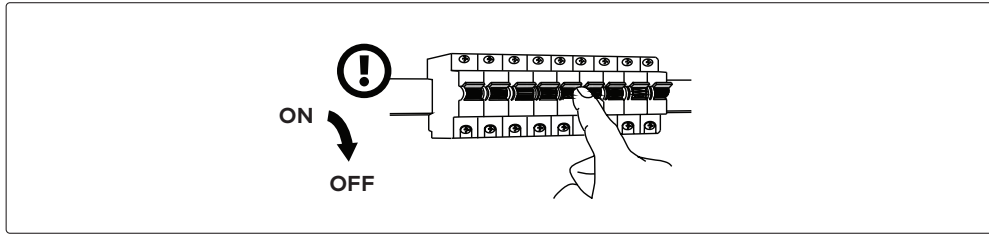


**Sizing Variations**

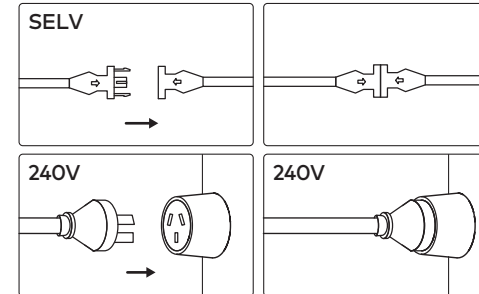
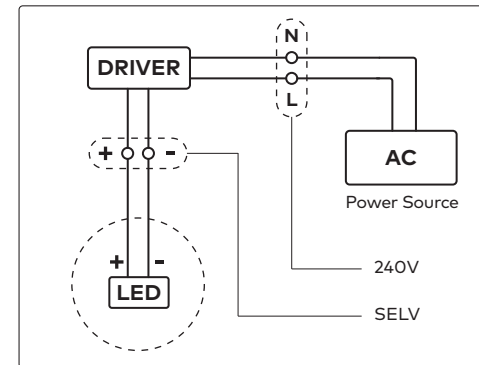
Product Code	A	B	C
SHFI0091	91	107	83
SHFO0091	91	90	83

All measurements are in millimetres.

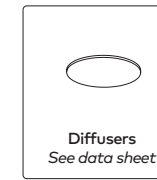




### Wiring



### Additional Accessories



### Luminaire Compatibility

Product Code	Output Power	Driving Current	Forward Voltage
SHFI0091	10W	250mA	36-38V
SHFO0091	8W	200mA	36-38V

### Dimming

This luminaire can be dimmed. Unios® recommends a phase-cut dimmer or DALI solution optimised for LED technology.

For full list of compatible drivers, see unios.com