

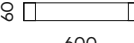
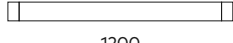
Left: Wardrobe application
Top & Above: Slimline profile

Supalux

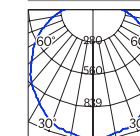
LINEAR LIGHT

The Supalux Linear Light produces a wide angle beam and a high lumen output, making illuminating large spaces effortless. Slimline and discreet, this linear luminaire is the perfect solution for workshops, garages or storage spaces.

- Easy installation linear light design
- Available in textured white and textured silver finishes
- Wide beam angle for practical general lighting

	Small (600mm)	Large (1200mm)
Measurements (mm)		
	600	
	100	100
Absolute Luminous Flux		
	18W (300mA) 1390lm (at 3000K) 1425lm (at 4000K)	35W (600mA) 3290lm (at 3000K) 3320lm (at 4000K)
Beam		
	120° (F)	120° (F)


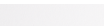
Photometrics



$\alpha = 120^\circ$



Finishes

- Textured Silver 
- Textured White 

General Specifications

- Material** | Powder Coated Aluminium Body with PC Diffuser
- IP** | 40
- UGR (Unified Glare Rating)** | <25
- Warranty** | 3 Years

LED

- Colour Temp** | 3000K, 4000K
- CRI** | 80+
- Efficacy** | Up to 87lm/w
- Colour Deviation** | SDCM \leq 4
- Lifetime** | 65,000h L70

Driver

- Power Factor** | >0.90
- 240V Integral Non-Dimmable Driver
- Dimming** | DALI Dim Optional

Notes

DALI Driver must be remote.

A	B	C	D	E	F	Driver
SUPA	0600	TW	30	F	-	Standard Non-Dimmable Driver included
		TS	40	F	-	

Example: SUPA0600.TW30.F
Refer to data sheet for available configurations.
Visit Product Toolbox at unios.com/supalux to configure compatible Osram/Tridonic DALI drivers.



CEILING SURFACE