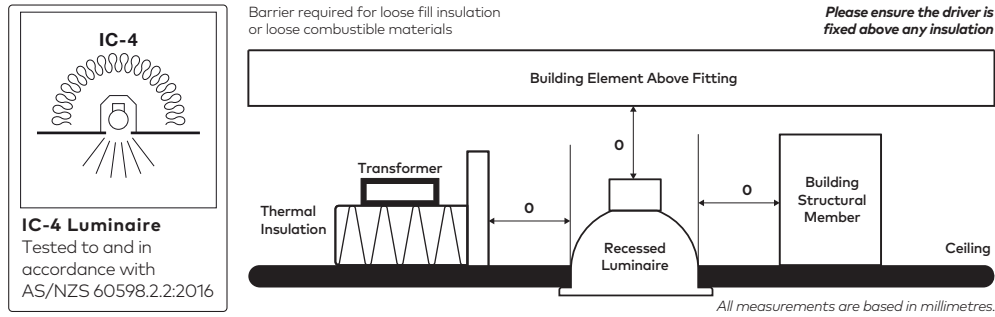
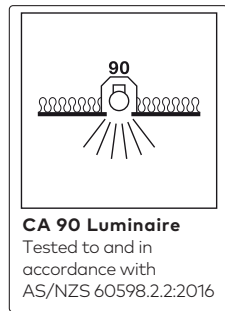


**Minimum clearance for luminaire**

ⓘ **Risk of Fire** – Required clearance from structure members and building elements. Details below:



**Dusk Dimming Model**



Product Code
TITA0084.XXDK
TITA0100.XXDK

For Titanium models that are Dusk dimmable, the luminaire is CA90 rated.

**Corrosion Protection**

It is important to note that care must be taken during installation or maintenance to ensure that the surface of the luminaire is not damaged. Any damage, which is exposed to moisture will result in corrosion occurring.

Please also note that any chemical applications on the luminaire or chemical contact via installation will cause corrosion of the surface of the luminaire and will void the warranty.

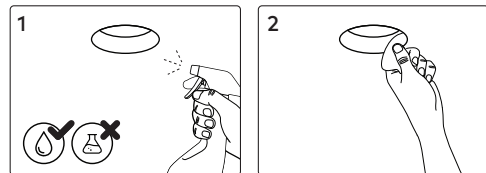
**Ambient Conditions**

Recommended to install in an ambient temperature <35°C.



**Cleaning**

Warning: Before cleaning, disconnect from mains supply and allow luminaire to cool.



**Disposal**

Ensure correct disposal of this product (waste electrical and electronic equipment)



**Titanium G2**

DOWNLIGHT

Base Codes	Small TITA0084	Medium TITA0100	Large TITA0134	97+ Small TI970084	97+ Medium TI970100	97+ Large TI970134	Power 11   13   25 Watts
	<b>Class II</b> 220-240V – 50/60Hz	<b>IP Rating</b> 44 (Roomside)	<b>Material</b> Aluminium	<b>Install Person/s</b> 1x			

ⓘ **CAUTION** – This product must be installed by a qualified installer  
Please read instruction manual carefully before installing luminaire

**Surge Protection**  
For comprehensive protection of a luminaire against electrical surges, surge protection shall be installed on the mains supply where required to protect luminaires and drivers from transient voltage damage.

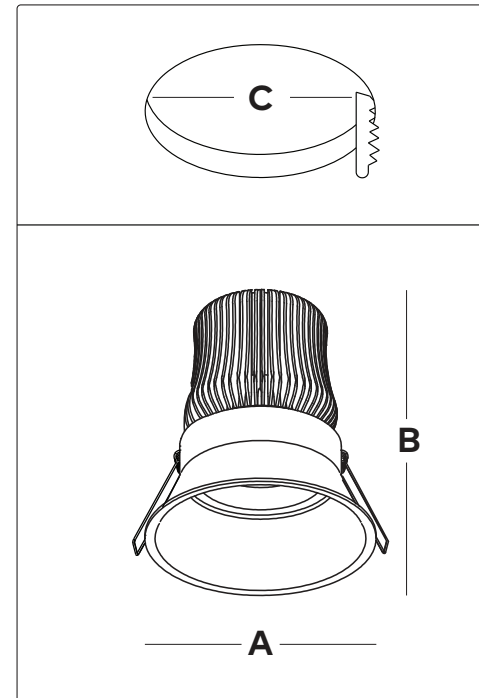
**For warranty information visit unios.com/warranty**

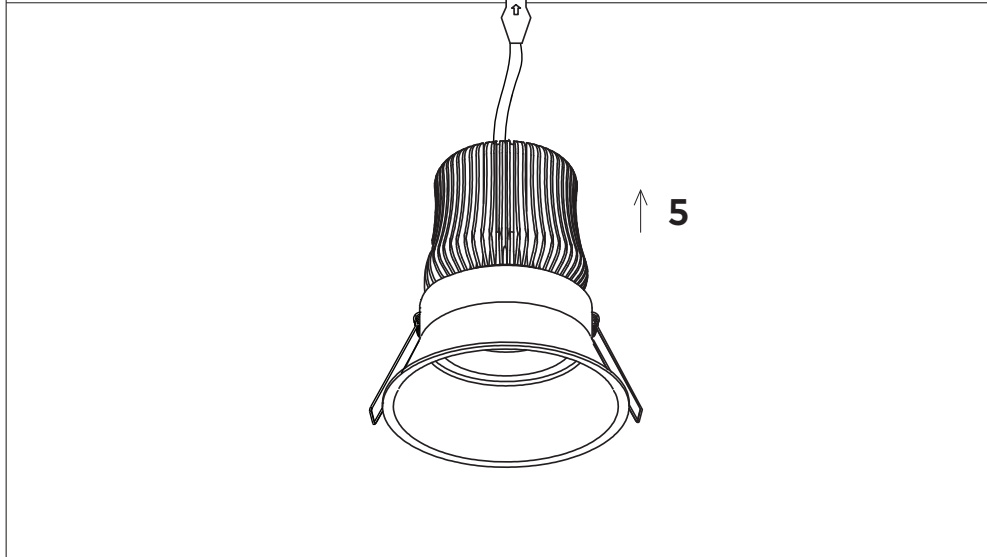
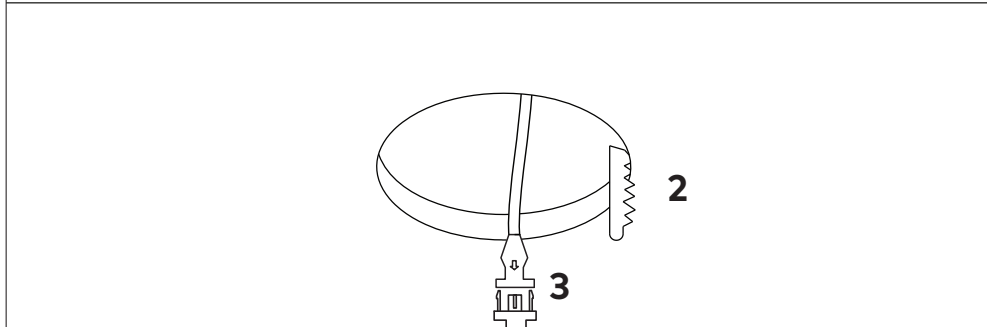
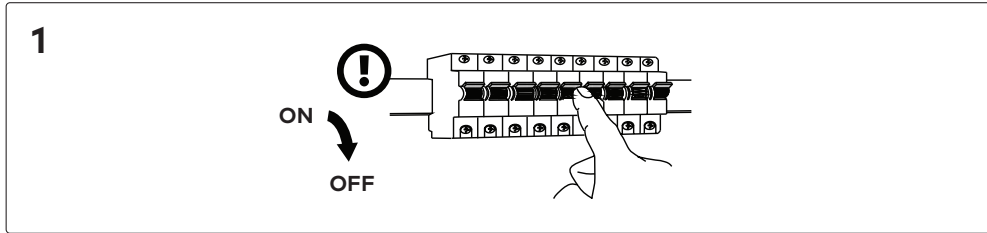
Please read these installation instructions carefully before installing this luminaire. This product must be installed and maintained by a suitably qualified person/s in compliance with the latest applicable regulations and relevant legislation. Unios does not warrant any claim based on defects or damage caused by misuse, improper installation, improper operation and/or modifications carried out by the purchaser or third parties. This luminaire will not be used as a 'Working light' during construction. This will result in the warranty of the luminaire to be void. For warranty duration, please refer to the data sheet.

**Sizing Variations**

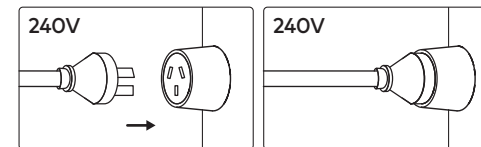
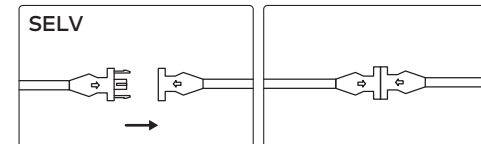
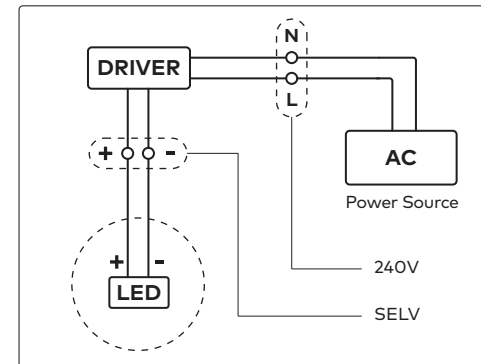
Product Code	A	B	C
TITA0084	84	105	76
TITA0100	100	115	92
TITA0134	134	150	125
TI970084	84	105	76
TI970100	100	115	92
TI970134	134	150	125
Accessories			
TA001/TA002	100	130	92
TA003/TA004	110	115	102
TA008/TA009	110	115	102

All measurements are in millimetres.

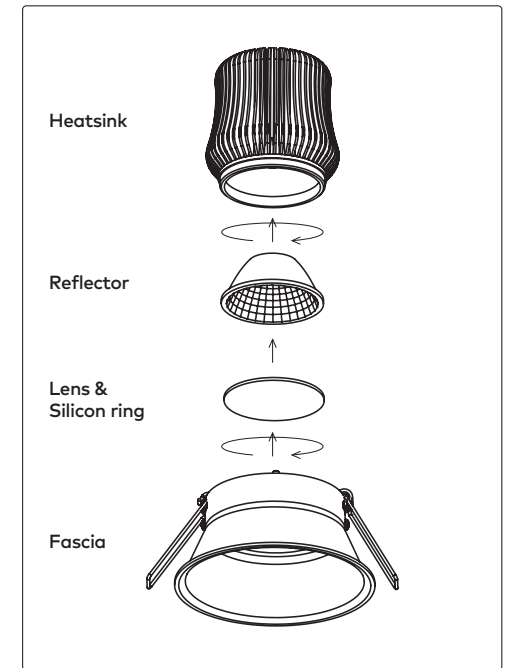




### Wiring



### Product Assembly



### Luminaire Compatibility

Product Code	Output Power	Driving Current	Forward Voltage
TITA0084	11W	300mA	30-40V
TITA0100	13W	350mA	30-40V
TITA0134	25W	700mA	30-40V
TI970084	11W	300mA	30-40V
TI970100	13W	350mA	30-40V
TI970134	25W	700mA	30-40V

### Additional Accessories

<p>Asymmetrical Fascia (TA001/TA002)</p>	<p>Wide Trim Fascia - Spring (TA003/TA004)</p>	<p>Wide Trim Fascia - Tension (TA008/TA009)</p>
<p>130mm Surface Mount Kit</p>	<p>Reflectors See data sheet</p>	<p>Diffusers See data sheet</p>

### Dimming

This luminaire can be dimmed. Unios® recommends a phase-cut dimmer or DALI solution optimised for LED technology.

For full list of compatible drivers, see unios.com