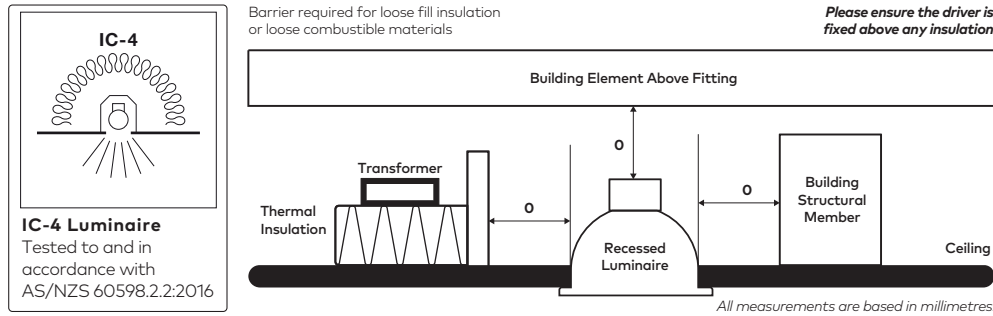


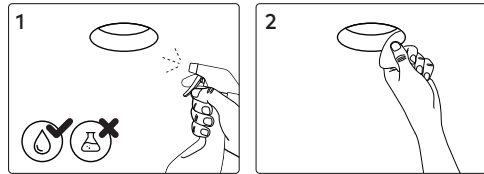
Minimum clearance for luminaire

Ⓢ **Risk of Fire** – Required clearance from structure members and building elements. Details below:



Cleaning

Warning: Before cleaning, disconnect from mains supply and allow luminaire to cool.



Disposal

Ensure correct disposal of this product (waste electrical and electronic equipment).



Corrosion Protection

It is important to note that care must be taken during installation or maintenance to ensure that the surface of the luminaire is not damaged. Any damage, which is exposed to moisture will result in corrosion occurring.

Please also note that any chemical applications on the luminaire or chemical contact via installation will cause corrosion of the surface of the luminaire and will void the warranty.

Ambient Conditions

Recommended to install in an ambient temperature <35°C.



Titanium Semi

RECESSED DOWNLIGHT

Base Codes	Micro TISR0042	Small TISR0078	Medium TISR0114	97+ Micro TSR70042	97+ Small TSR70078	97+ Medium TSR70114	Power 2 9 15 Watts
	Class III Luminaire only	IP Rating 54 (Roomside)	Material Aluminium	Install Person/s 1x			

CAUTION – This product must be installed by a qualified installer
Please read instruction manual carefully before installing luminaire

Surge Protection
For comprehensive protection of a luminaire against electrical surges, surge protection shall be installed on the mains supply where required to protect luminaires and drivers from transient voltage damage.

For warranty information visit unios.com/warranty

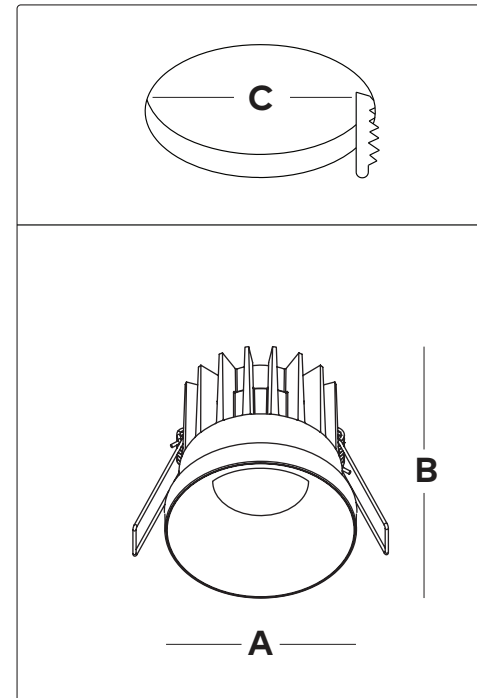
Please read these installation instructions carefully before installing this product. This product must be installed and maintained by a suitably qualified person/s in compliance with the latest applicable regulations and relevant legislation.

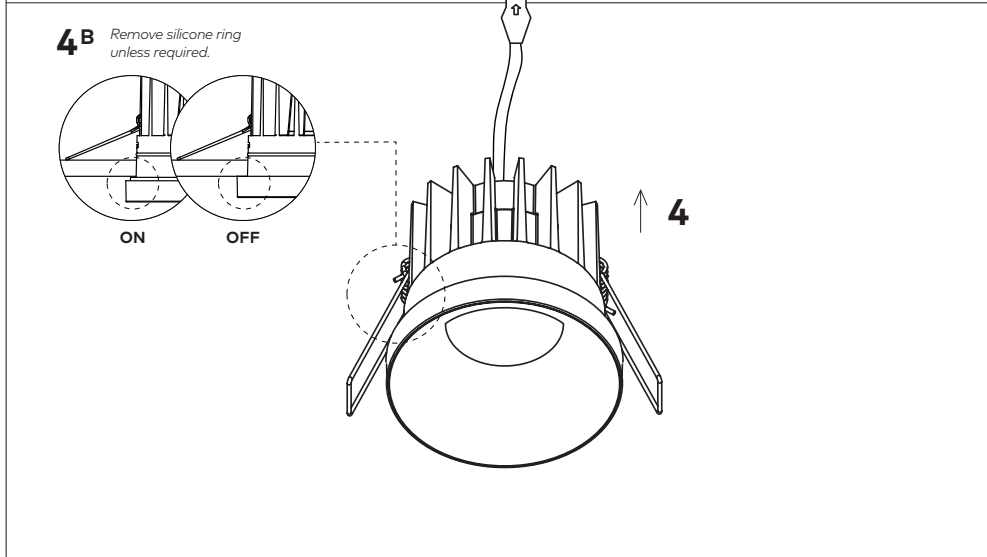
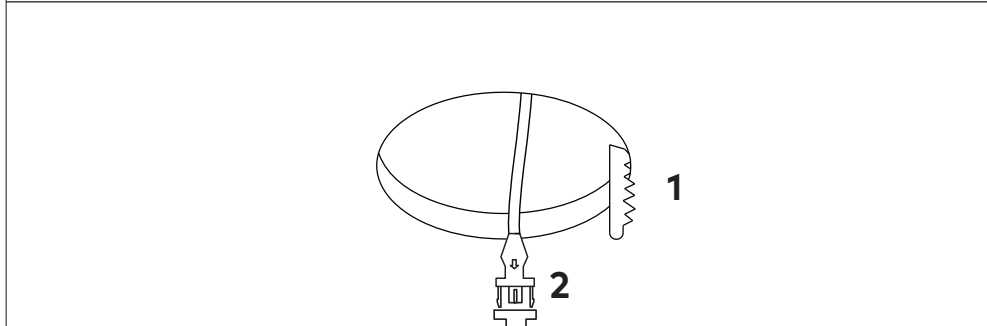
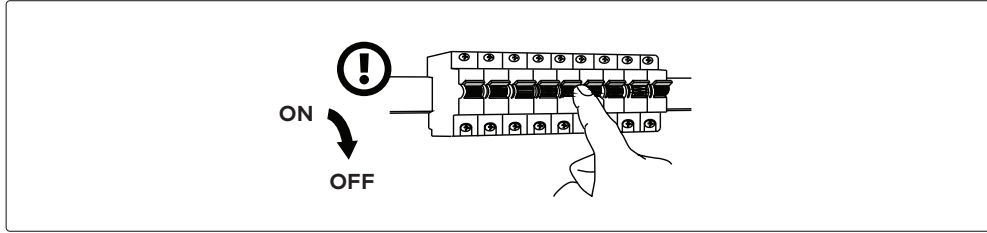
Unios does not warrant any claim based on defects or damage caused by misuse, improper installation, improper operation and/or modifications carried out by the purchaser or third parties. This product shall not be used as a 'working light' during construction. This will result in the warranty of the product to be void. For warranty duration, please refer to the data sheet.

Sizing Variations

Product Code	A	B	C
TISR0042	42	47	35
TISR0078	78	55	68
TISR0114	114	100	104
TSR70042	42	47	35
TSR70078	78	55	68
TSR70114	114	100	104

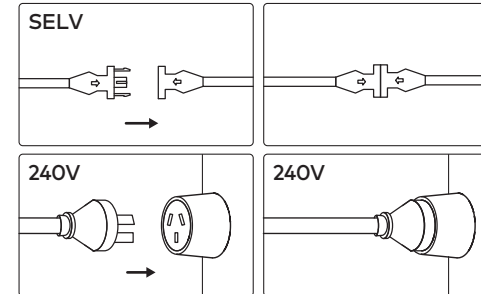
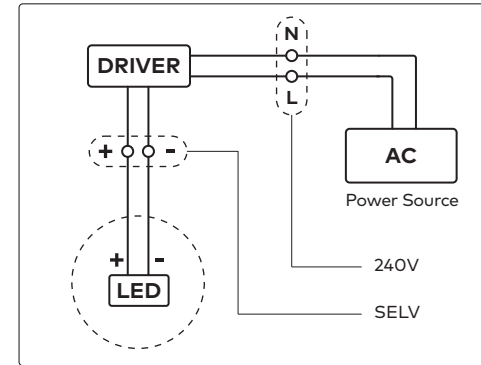
All measurements are in millimetres.





Wiring

TISR0078, TISR0114, TSR70078, TSR70114



Luminaire Compatibility

Product Code	Output Power	Driving Current	Forward Voltage
TISR0042	2W	700mA	2.8-3.3V
TISR0078	9W	250mA	36-38V
TISR0114	15W	400mA	36-38V
TSR70042	2W	700mA	2.8-3.3V
TSR70078	9W	250mA	36-38V
TSR70114	15W	400mA	36-38V

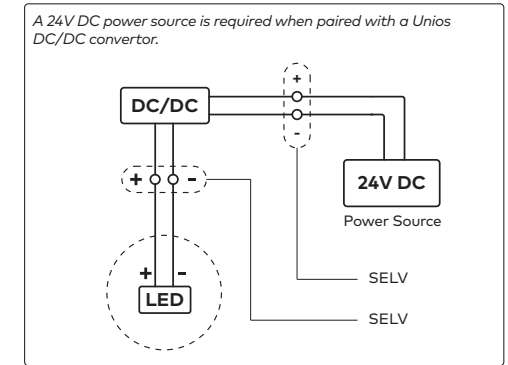
Dimming

This luminaire can be dimmed. Unios® recommends a phase-cut dimmer or DALI solution optimised for LED technology.

For full list of compatible drivers, see unios.com

Wiring (DC/DC)

TISR0042, TSR70042



Wiring (AC/DC)

TISR0042, TSR70042

