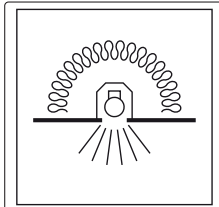


Minimum clearance for luminaire

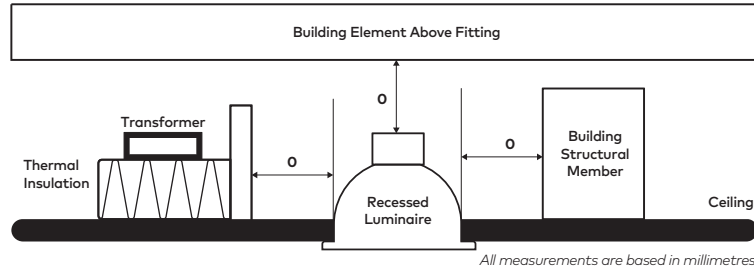
ⓘ **Risk of Fire** – Required clearance from structure members and building elements. Details below:



IC Luminaire
Tested to and in accordance with AS/NZS 60598.2.2:2016

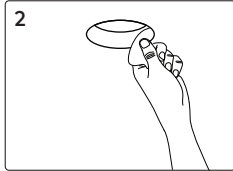
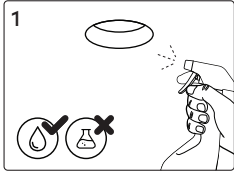
Barrier required for loose fill insulation or loose combustible materials

Please ensure the driver is fixed above any insulation



Cleaning

Warning: Before cleaning, disconnect from mains supply and allow luminaire to cool.



Corrosion Protection

It is important to note that care must be taken during installation or maintenance to ensure that the surface of the luminaire is not damaged. Any damage, which is exposed to moisture will result in corrosion occurring.

Please also note that any chemical applications on the luminaire or chemical contact via installation will cause corrosion of the surface of the luminaire and will void the warranty.

Disposal

Ensure correct disposal of this product (waste electrical and electronic equipment)



Ambient Conditions

Recommended to install in an ambient temperature <35°C.



Titanium

STARLIGHT

Base Codes	Standard TIST0043	Power 5 Watts
Class II 220-240V – 50/60Hz	IP Rating 65	Material Aluminium
Install Person/s 1x		

ⓘ **CAUTION** – This product must be installed by a qualified installer
Please read instruction manual carefully before installing luminaire

Surge Protection
For comprehensive protection of a luminaire against electrical surges, surge protection shall be installed on the mains supply where required to protect luminaires and drivers from transient voltage damage.

For warranty information visit unios.com/warranty

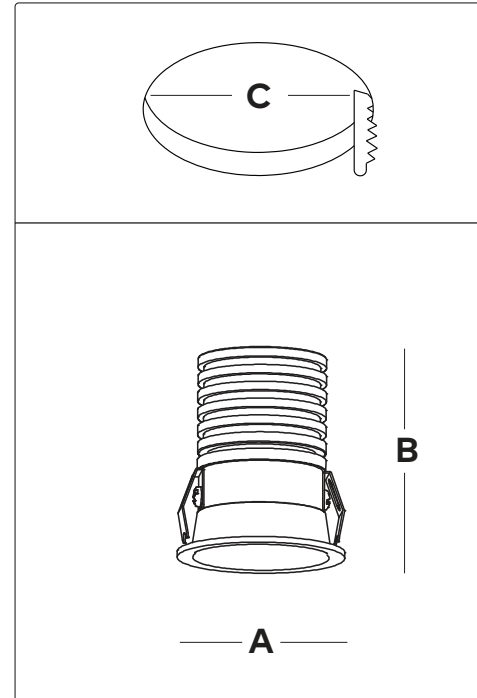
Please read these installation instructions carefully before installing this luminaire. This product must be installed and maintained by a suitably qualified person/s in compliance with the latest applicable regulations and relevant legislation.

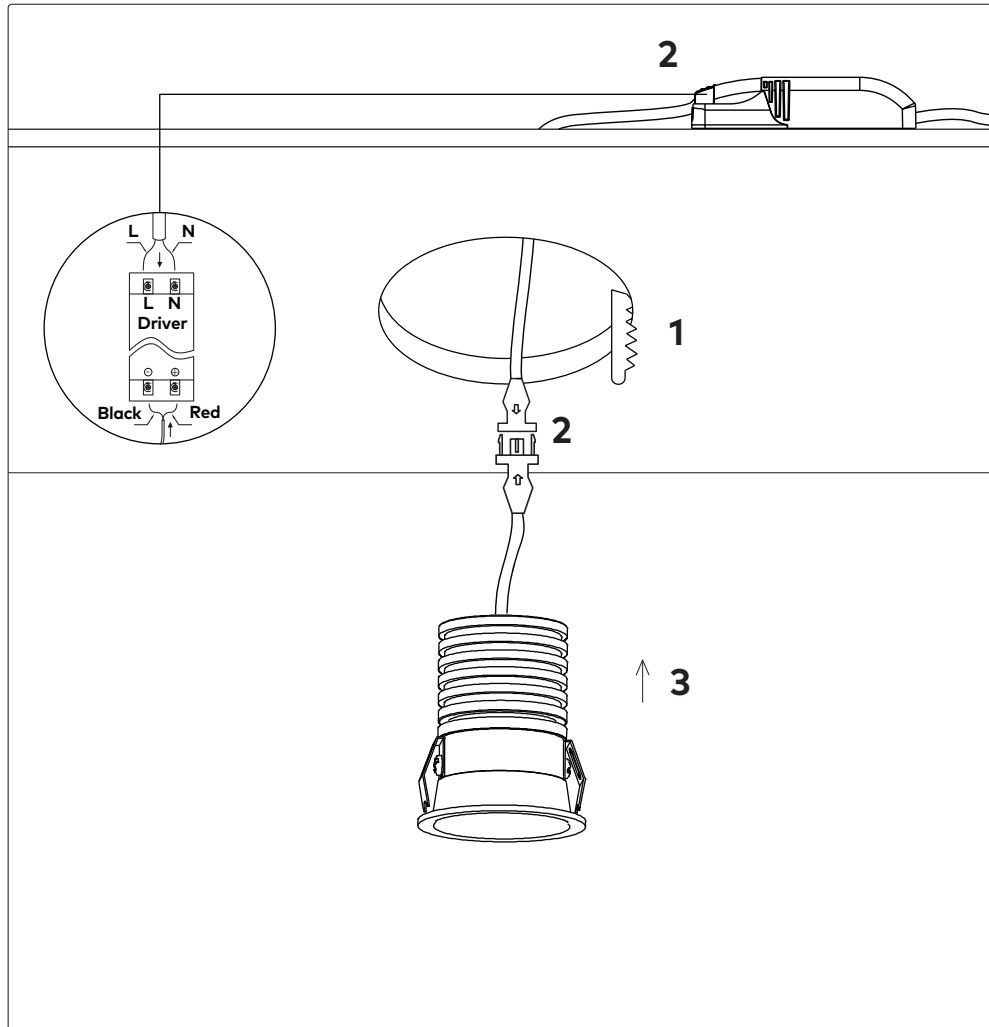
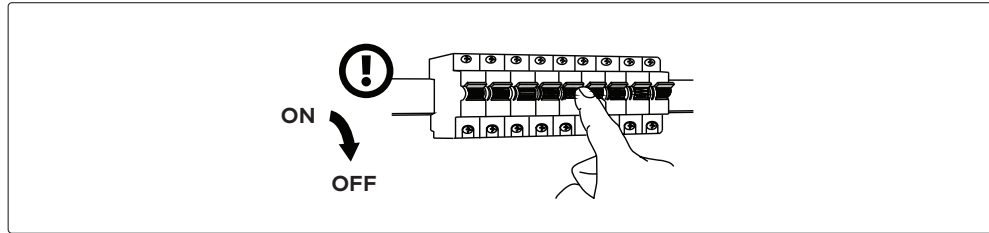
Unios does not warrant any claim based on defects or damage caused by misuse, improper installation, improper operation and/or modifications carried out by the purchaser or third parties. This luminaire will not be used as a 'Working light' during construction. This will result in the warranty of the luminaire to be void. For warranty duration, please refer to the data sheet.

Sizing Variations

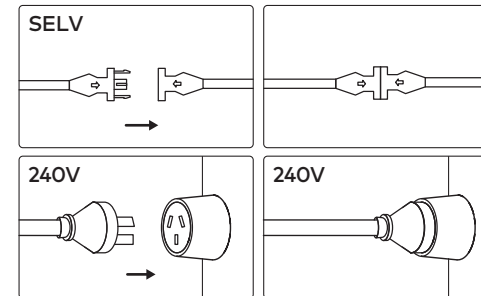
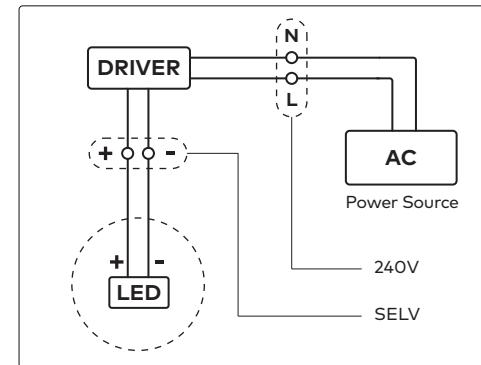
Product Code	A	B	C
TIST0043	43	55	38

All measurements are in millimetres.





Wiring



Luminaire Compatibility

Product Code	Output Power	Driving Current	Forward Voltage
TIST0043	5W	150mA	30-40V

Dimming

This luminaire can be dimmed. Unios® recommends a phase-cut dimmer or DALI solution optimised for LED technology.

For full list of compatible drivers, see unios.com

