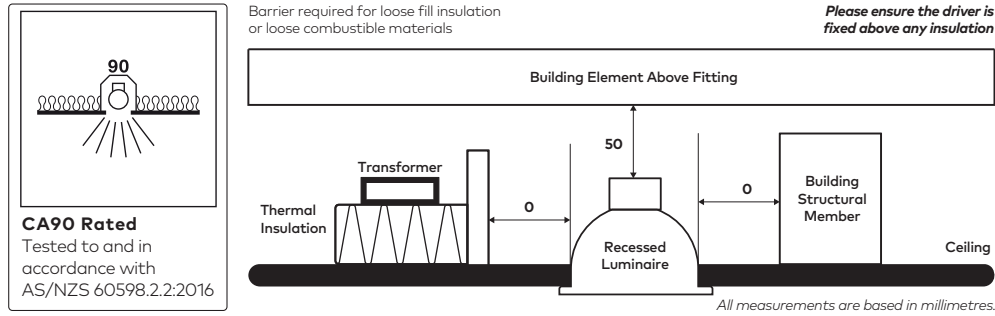


Minimum clearance for luminaire

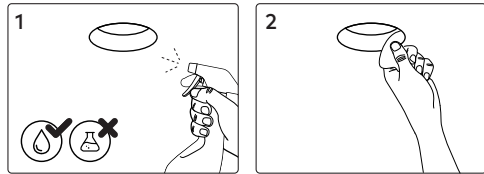
ⓘ **Risk of Fire** – Required clearance from structure members and building elements. Details below:



CA90 Rated
Tested to and in accordance with AS/NZS 60598.2.2:2016

Cleaning

Warning: Before cleaning, disconnect from mains supply and allow luminaire to cool.



Disposal

Ensure correct disposal of this product (waste electrical and electronic equipment).



Corrosion Protection

It is important to note that care must be taken during installation or maintenance to ensure that the surface of the luminaire is not damaged. Any damage, which is exposed to moisture will result in corrosion occurring.

Please also note that any chemical applications on the luminaire or chemical contact via installation will cause corrosion of the surface of the luminaire and will void the warranty.

Ambient Conditions

Recommended to install in an ambient temperature <35°C.



Titanium

SLOTTER SERIES

Base Codes	Single TISL0010	Double TISL0020	Triple TISL0030	Single 97+ TSL70010	Double 97+ TSL70020	Triple 97+ TSL70030	Power 10 20 30 Watts
	Class III Luminaire only	IP Rating 20	Material Aluminium	Install Person/s 1x			

ⓘ **CAUTION** – This product must be installed by a qualified installer
Please read instruction manual carefully before installing luminaire

Surge Protection
For comprehensive protection of a luminaire against electrical surges, surge protection shall be installed on the mains supply where required to protect luminaires and drivers from transient voltage damage.

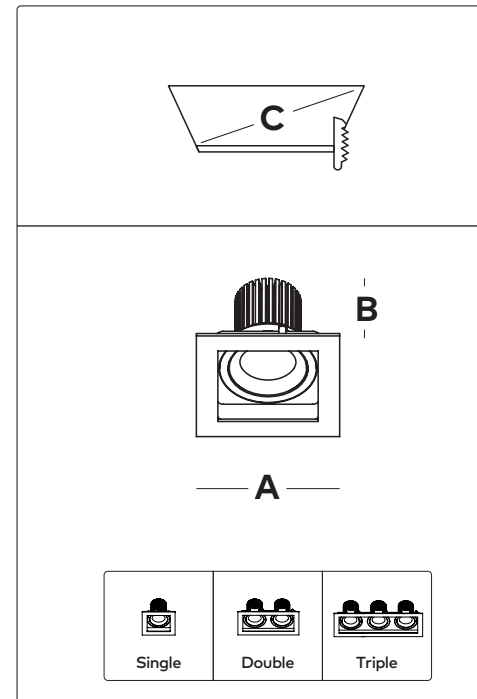
For warranty information visit unios.com/warranty

Please read these installation instructions carefully before installing this product. This product must be installed and maintained by a suitably qualified person/s in compliance with the latest applicable regulations and relevant legislation. Unios does not warrant any claim based on defects or damage caused by misuse, improper installation, improper operation and/or modifications carried out by the purchaser or third parties. This product shall not be used as a 'working light' during construction. This will result in the warranty of the product to be void. For warranty duration, please refer to the data sheet.

Sizing Variations

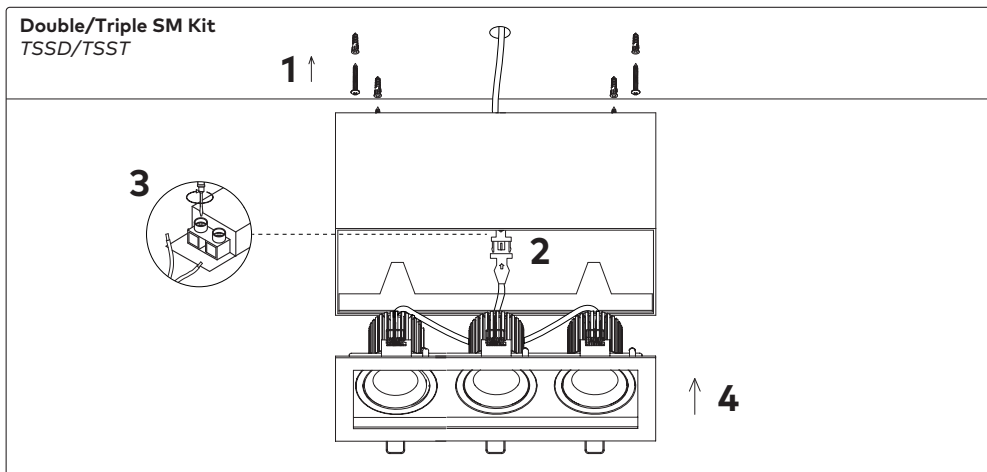
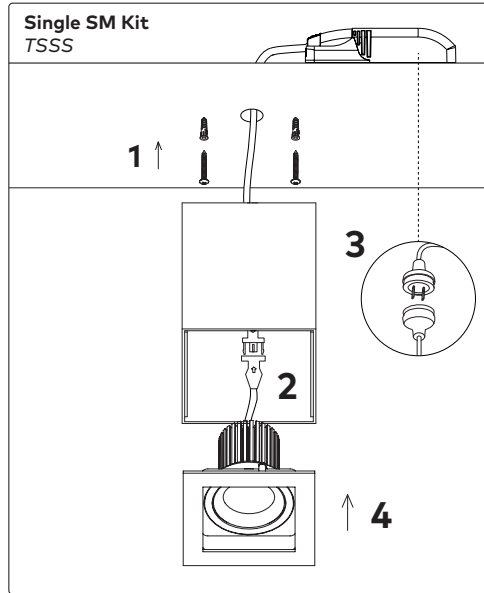
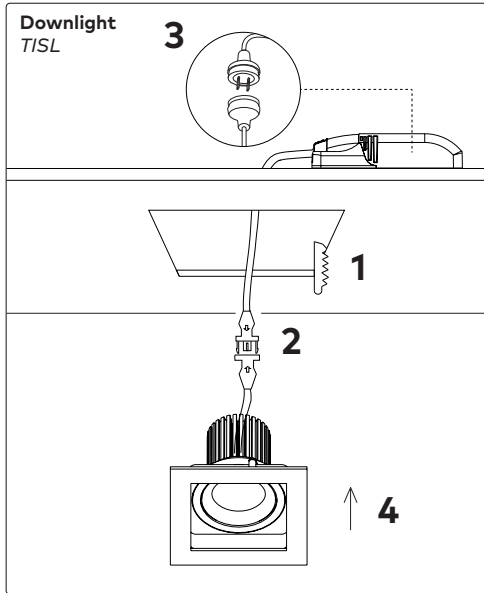
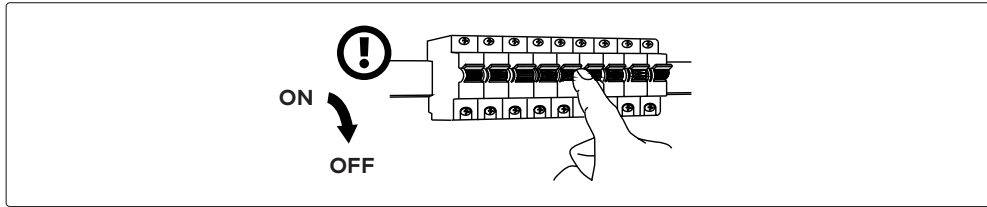
Product Code	A	B	C
TISL0010/ TSL70010	100x100	100	90x90
TISL0020/ TSL70020	185x100	100	175x90
TISL0030/ TSL70030	270x100	100	260x90
Accessories			
TSSS0150	104x104	142	-
TSSD0150	189x104	142	-
TSST0150	275x104	142	-

All measurements are in millimetres.

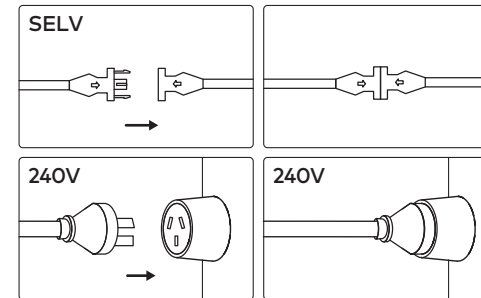
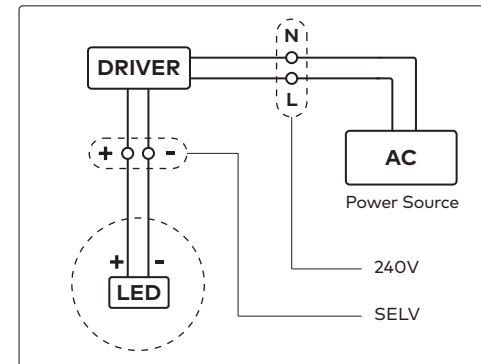


Additional Accessories



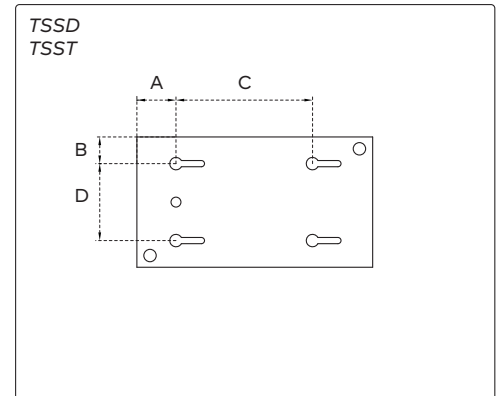
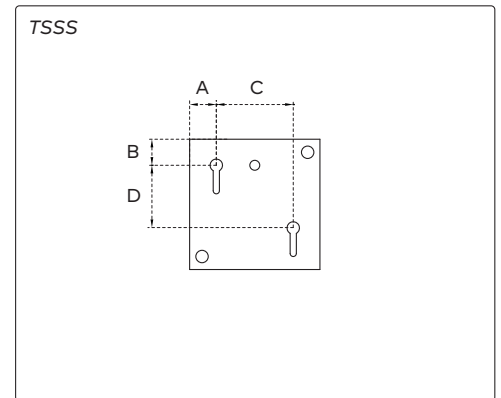


Wiring



Mounting Plate

Supplied as an additional accessory



Luminaire Compatibility

Product Code	Output Power	Driving Current	Forward Voltage
TISL0010/ TSL70010	10W	250mA	36-38V
TISL0020/ TSL70020	20W	500mA	36-38V
TISL0030/ TSL70030	30W	750mA	36-38V

Product Code	A	B	C	D
TSSS0150	20.7	21.3	62	43.5
TSSD0150	32	20.6	110	62
TSST0150	32	20.6	170	62

All measurements are in millimetres.

Dimming

This luminaire can be dimmed. Unios® recommends a phase-cut dimmer or DALI solution optimised for LED technology.

For full list of compatible drivers, see unios.com

