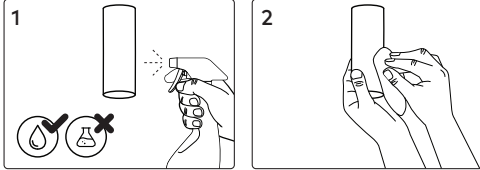


Cleaning

Warning: Before cleaning, disconnect from mains supply and allow luminaire to cool.



Disposal

Ensure correct disposal of this product (waste electrical and electronic equipment)



Corrosion Protection

It is important to note that care must be taken during installation or maintenance to ensure that the surface of the luminaire is not damaged. Any damage, which is exposed to moisture will result in corrosion occurring.

Please note that any chemical applications on the luminaire or chemical contact via installation will cause corrosion of the surface of the luminaire and will void warranty.

Ambient Conditions

Recommended to install in an ambient temperature <35°C.



Titanium

SURFACE MOUNTED/SUSPENDED STARLIGHT



Base Codes (Surface Mounted)	260 TSSM0260	400 TSSM0400	600 TSSM0600	800 TSSM0800	Power 5 Watts
-------------------------------------	------------------------	------------------------	------------------------	------------------------	-------------------------

Base Codes (Suspended)	260 TSSK0260	400 TSSK0400	600 TSSK0600	800 TSSK0800
-------------------------------	------------------------	------------------------	------------------------	------------------------

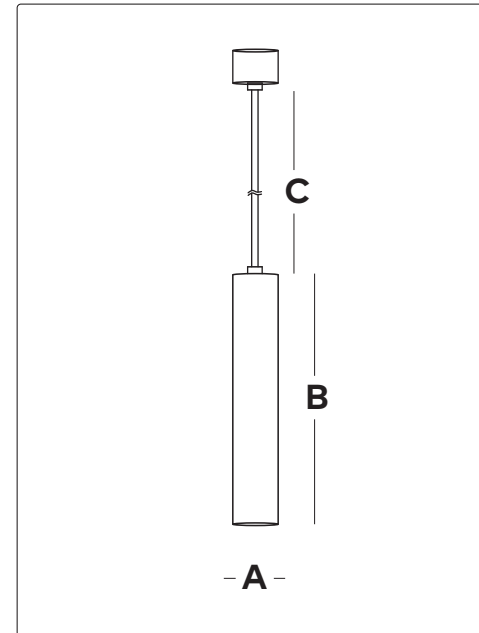
Class I 220-240V ~ 50/60Hz	IP Rating 20	Material Aluminium	Install Person/s 1x	
--------------------------------------	------------------------	------------------------------	-------------------------------	--

CAUTION – This product must be installed by a qualified installer
Please read instruction manual carefully before installing luminaire

Surge Protection
For comprehensive protection of a luminaire against electrical surges, surge protection shall be installed on the mains supply where required to protect luminaires and drivers from transient voltage damage.

For warranty information visit unios.com/warranty

Please read these installation instructions carefully before installing this luminaire. This product must be installed and maintained by a suitably qualified person/s in compliance with the latest applicable regulations and relevant legislation. Unios does not warrant any claim based on defects or damage caused by misuse, improper installation, improper operation and/or modifications carried out by the purchaser or third parties. This luminaire will not be used as a 'Working light' during construction. This will result in the warranty of the luminaire to be void. For warranty duration, please refer to the data sheet.

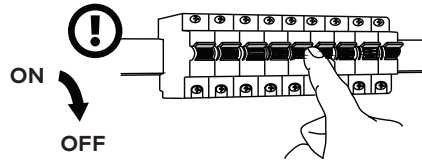


Sizing Variations

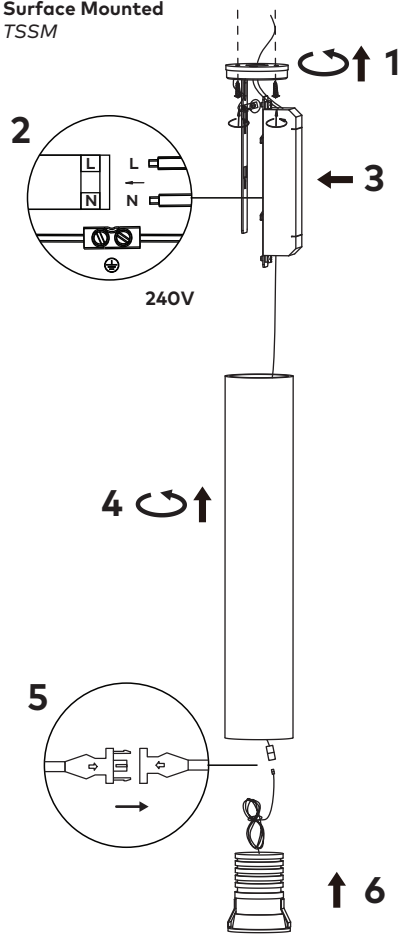
Product Code	A	B	C
TSSM0260	47	260	-
TSSM0400	47	400	-
TSSM0600	47	600	-
TSSM0800	47	800	-
TSSK0260	47	260	3000
TSSK0400	47	400	3000
TSSK0600	47	600	3000
TSSK0800	47	800	3000

All measurements are in millimetres.

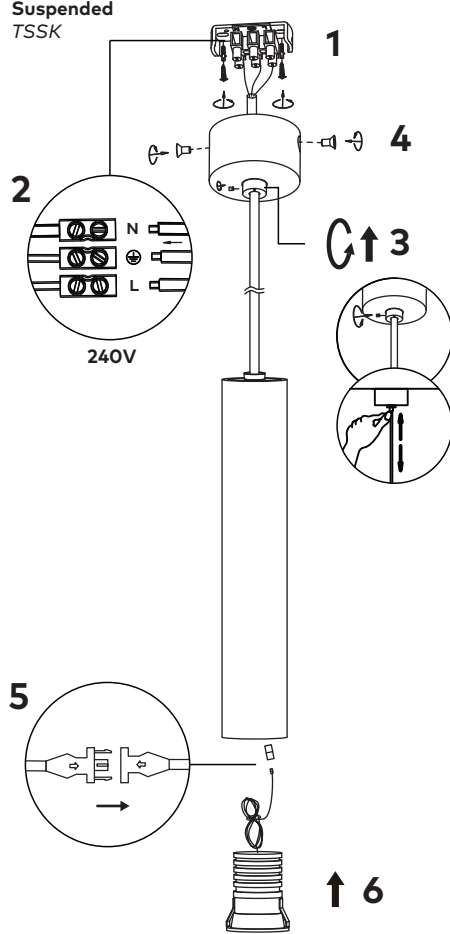




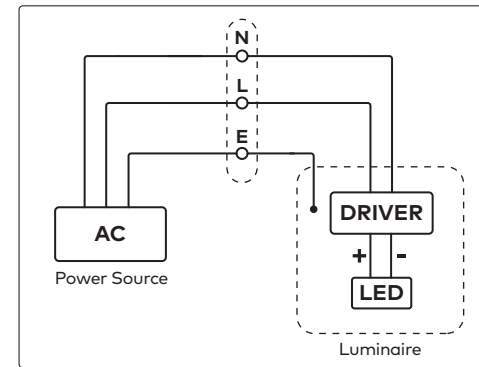
**Surface Mounted
TSSM**



**Suspended
TSSK**

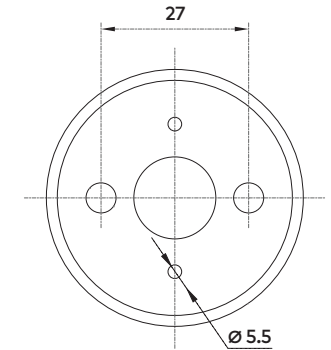


Wiring



Mounting Plate

**Surface Mounted
TSSM**



Luminaire Compatibility

Product Code	Output Power	Driving Current	Forward Voltage
TIST0043	5W	150mA	27-42V

Dimming

This luminaire can be dimmed. Unios® recommends a phase-cut dimmer or DALI solution optimised for LED technology.

For full list of compatible drivers, see unios.com

**Suspended
TSSK**

